



SUMMIT LINEAR LUXURY FIREPLACE INSTALLATION AND OPERATION MANUAL



This appliance may be installed in an aftermarket permanently located, manufactured home (USA only) or mobile home, where not prohibited by local codes. This appliance is only for use with the type of gas indicated on the rating plate. This appliance is not convertible for use with other gases.

WARNING

FIRE OR EXPLOSION HAZARD

Failure to follow safety warnings exactly could result in serious injury, death, or property damage.

- Do not store or use gasoline or other flammable vapors and liquids in the vicinity of this or any other appliance.
- **WHAT TO DO IF YOU SMELL GAS**
- Do not try to light any appliance.

- Do not touch any electrical switch; do not use any phone in your building.
- Leave the building immediately.
- Immediately call your gas supplier from a neighbor's phone. Follow the gas supplier's instructions.
- If you cannot reach your gas supplier, call the fire department.
- Installation and service must be performed by a qualified installer, service agency or the gas supplier.

INSTALLER: Leave this manual with the appliance. **CONSUMER:** Retain this manual for future reference.



FOR INDOOR OR OUTDOOR PATIO USE

Certified to the Canadian and American National Standards: ANSI Z21.50-2019(R2024)/CSA 2.22-2019(R2024) for decorative gas appliances for installation in solid-fuel burning fireplaces.

Summit Open Luxury Fireplaces

3515 East Atlanta Avenue, Phoenix, Arizona 85040 | 602-344-4217 | SummitLuxuryFireplaces.com

TABLE OF CONTENTS

Warning - Safety Information	1-2
Introduction and General Information.....	3-7
Parts List.....	8-13
Wiring Diagram.....	14
Spill Switch.....	15
Framing Dimensions.....	16-22
Pre-Installation Steps.....	23
Requirements for TV Installation.....	24
Damper Handle.....	25
Venting Installation.....	26
Outdoor Installation Requirements.....	27-32
Installation Steps.....	33-35
Summit Configuration Installation Steps.....	36-44
Panel Installation.....	45-46
Viewing Reduction Installation.....	47
Log Placement.....	48-57
Cannonballs Installation.....	58
Operating Instructions.....	59-64
Troubleshooting.....	65-66
Warranty.....	67
Notes.....	68

NOTE: Changes, other than editorial, are denoted by a vertical line in the margin.


SAFETY INFORMATION

WARNING

Thank you for your purchase. We appreciate your business! Please carefully read and follow all instructions in this manual. **Pay special attention to all warnings and safety information.** Following these safety, care, and operation instructions will help ensure many years of dependable and enjoyable service from your fireplace. **Please read and understand these instructions before installing or operating.**




We recommend that our gas hearth products be installed and serviced by professionals who are certified in the U.S. by the National Fireplace Institute® (NFI) as NFI Gas Specialists.

 **WARNING** Improper installation, adjustment, alteration, service or maintenance can cause injury or property damage. Refer to this manual for correct installation and operational procedures. For assistance or additional information consult a qualified installer, service agency or the gas supplier.


SAVE THIS BOOK This book is valuable. In addition to instructing you on how to install and maintain your appliance, it also contains information that will enable you to obtain replacement parts or optional accessory items when needed. Keep it with your other important papers.

**NOT FOR USE WITH SOLID FUEL
CHECK LOCAL CODES PRIOR TO
INSTALLATION**

This fireplace may not be installed in manufactured (mobile) housing constructed to HUD standards. The fireplace may be installed in aftermarket, non-HUD manufactured housing provided its installation complies with State and Local Codes and in the absence of these codes complies with the National Fuel Gas Code ANSIZ223.1 NFPA 54.

 **WARNING** This product can expose you to chemicals including Carbon Black, which is known to the State of California to cause cancer, and Carbon Monoxide, which is known to the State of California to cause birth defects or other reproductive harm. For more information go to www.P65Warnings.ca.gov.

State of Massachusetts: The installation must be made by a licensed plumber or gas fitter in the Commonwealth of Massachusetts.

 **WARNING** This product can expose you to chemicals including Carbon Black, which is known to the State of California to cause cancer, and Carbon Monoxide, which is known to the State of California to cause birth defects or other reproductive harm. For more information go to www.P65Warnings.ca.gov


NOTICE Young children should be carefully supervised when they are in the same room as the appliance. Toddlers, young children, and others may be susceptible to accidental burns. A physical barrier is recommended if there are to be at-risk individuals in the house. To restrict access to a fireplace or stove, install an adjustable safety gate to keep toddlers, young children, and other at-risk individuals out of and away from hot surfaces.

SAFETY INFORMATION

WARNING

 **WARNING** This product contains and/or generates chemicals known to the State of California to cause cancer or birth defects or other reproductive harm.

IMPORTANT Read this owner's manual carefully and completely before trying to assemble, operate or service this fireplace. Improper use of this fireplace can cause serious injury or death from burns, fire, explosions, electrical shock and carbon monoxide poisoning.

 **DANGER** Carbon monoxide poisoning may lead to death!

NOTICE Decorative product not for use as a heating appliance.

This fireplace is a vented product. This fireplace will not produce any gas leakage into your home if properly installed. This fireplace must be properly installed by a qualified service person. If this unit is not properly installed by a qualified service person, gas leakage can occur. Carbon Monoxide Poisoning: Early signs of carbon monoxide poisoning resemble the flu, with headaches, dizziness or nausea. If you have these signs, the fireplace may not have been installed properly. Get fresh air at once! Have fireplace inspected and serviced by a qualified service person. Some people are more affected by carbon monoxide than others. These include pregnant women, people with heart or lung disease or anemia, those under the influence of alcohol and those at high altitudes.

Propane/LP gas and natural gas are both odorless. An odor-making agent is added to each of these gases. The odor helps you detect a gas leak. However, the odor added to these gases can fade. Gas may be present even though no odor exists. Make certain you read and understand all warnings. Keep this manual for reference. It is your guide to safe and proper operation of this fireplace.

 **WARNING** Any change to this fireplace or its controls can be dangerous. This appliance is not for use with a thermostat or remote with a thermostat.

1. This appliance is only for use with the type of gas indicated on the rating plate. This appliance is not convertible for use with other gases unless a certified kit is used.
2. For propane/LP fireplace, do not place propane/LP supply tank(s) inside any structure. Locate propane/LP supply tank(s) outdoors. To prevent performance problems, do not use propane/LP fuel tank of less than 100 lbs. capacity.
3. If you smell gas
 - Shut off gas supply
 - Do not try to light any appliance
 - Do not touch any electrical switch; do not use any phone in your building
 - Leave the building immediately
 - Immediately call your gas supplier from a neighbor's phone. Follow the gas supplier's instructions
 - If you cannot reach your gas supplier, call the fire department.

4. Never install the fireplace
 - In a recreational vehicle
 - In high traffic areas
 - In windy or drafty areas
5. This fireplace reaches high temperatures. Furniture and drapes must be kept a minimum of 36" from the openings of the fireplace. Fireplace will remain hot for a time after shutdown. Allow surfaces to cool before touching.
6. Young children should be carefully supervised when they are in the same room as the appliance. Toddlers, young children and others may be susceptible to accidental burns. A physical barrier is recommended if there are at-risk individuals in the house. To restrict access to a fireplace or stove, install an adjustable safety gate to keep toddlers, young children and other at-risk individuals out of the room and away from hot surfaces.
7. A hearth extension is not required with this appliance. If one is installed, it is for aesthetic purposes only and does not have to meet the standard requirements.
8. Turn fireplace off and let cool before servicing or repairing. Only a qualified service person should install, service or repair this fireplace. Have fireplace inspected annually by a qualified service person.
9. You must keep control compartments, burners and circulating air passages clean. More frequent cleaning may be needed due to excessive lint and dust from carpeting, bedding material, etc. Turn off the gas valve and pilot light before cleaning fireplace.
10. Have venting system inspected annually by a qualified service person. If needed, have venting system cleaned or repaired.
11. Keep the area around your fireplace clear of combustible materials, gasoline and other flammable vapor and liquids. Do not run fireplace where these are used or stored. Do not place items such as clothing or decorations on or around fireplace.
12. Do not use this fireplace to cook food or burn paper or other objects.
13. Do not use any solid fuels (wood, coal, paper, cardboard, etc.) in this fireplace. Use only the gas type indicated on fireplace nameplate.
14. This appliance, when installed, must be electrically grounded in accordance with local codes or, in the absence of local codes, with the National Electrical Code, ANSI/NFPA 70.
15. Do not obstruct the flow of combustion and ventilation air in any way. Provide adequate clearances around air openings into the combustion chamber along with adequate accessibility clearance for servicing and proper operation.
16. Do not install fireplace directly on carpeting, vinyl tile or any combustible material other than wood. The fireplace must set on a metal or wood panel extending the full width and depth of the fireplace.
17. Do not use fireplace if any part has been exposed to or under water. Immediately call a qualified service person to arrange for replacement of the unit.
18. Do not operate fireplace if any log is broken.
19. Do not use a blower insert, heat exchanger insert or other accessory not approved for use with this fireplace.
20. Provide adequate clearances around air openings.

INTRODUCTION

CAUTION Do not remove data plates from module. Data plates contain important warranty and safety information.

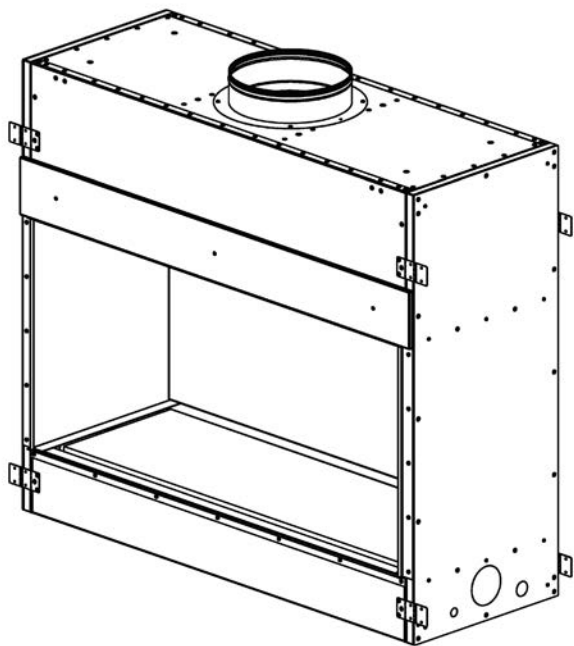


Figure 1 - Fireplace Illustration

CODES AND STANDARDS

These fireplaces comply with National Safety Standards and are tested and listed by PFS Corporation (Report No. F24-308) to ANSI Z21.50-2019(R2024) in Canada, CSA-2.22-2019(R2024) in both USA and Canada, as vented gas fireplaces. The installation must conform to local codes or, in the absence of local codes, with the National Fuel Gas Code, ANSI Z223.1/NFPA 54—latest edition (In Canada, the current CAN/CGA-B149.1 installation code). The fireplace, when installed, must be electrically grounded and wired in accordance with local codes or, in the absence of local codes, with the National Electrical Code, ANSI/NFPA 70—latest edition, or the Canadian Electrical Code, CSAC22.1—latest edition.

INTRODUCTION

Thank you for the purchase of your Summit Open Luxury Fireplace. All models use an electronic control valve and ignition system. All systems are gas specific, Natural Gas or Liquid Propane, and are not field convertible. Ensure that the gas indicated on the rating plate matches the gas type of the home. Models SML-48BR-VEN, SML-48BR-VEP, SML-60BR-VEN, SML-60BR-VEP, SML-72BR-VEN, SML-72BR-VEP, SML-84BR-VEN, SML-84BR-VEP, SML-84BRT-VEN, SML-84BRT-VEP, SML-96BR-VEN, SML-96BR-VEP, SML-96BRT-VEN, SML-96BRT-VEP are equipped with Bedrock Linear burners and are required to add either ½” reflective glass or Lava granules to the media bed.

Option media include cannonballs or driftwood logs. NOTE DO NOT USE ½” reflective glass with Cannonballs. Models SML-48BRT-VEN, SML-48BRT-VEP, SML-60BRT-VEN, SML-60BRT-VEP, SML-72BRT-VEN, SML-72BRT-VEP are equipped with Bedrock Traditional burners and require the installation of LDBT-DW48, LDBT-DW60, LDBT-DW72, LDBT-DW84, LDBT-DW96 (Linear Driftwood GlowFire™ Logs) as well as ½” reflective glass or Lava granules to the media bed. For either model SML-**-MBP (INCLUDED) and optional panels SML-**-FFP, SML-**-MBP, SML-**-GBP, SML-**-OFBB, SML-**-SFBG, SML-**-MSH, (**=Size). A venting system and venting cap are not supplied, but are required for proper installation and operation. This is a B-vent system, see specific venting details on page 26.

WARNING This gas appliance must not be connected to a chimney flue servicing a solid fuel burning appliance.

BEFORE YOU BEGIN

Before beginning the installation of your fireplace chassis, media and panels, read these instructions through completely. This Summit Open Luxury Fireplace (SOLF) appliance and its approved components are safe when installed according to the installation manual and are operated as recommended by SOLF. Unless you use SOLF approved components tested for this appliance, YOU MAY CAUSE A FIRE HAZARD! The SOLF warranty will be voided by and (SOLF) disclaims any responsibility for the following actions.

1. Modification of the appliance or any of the components.
2. Use of any component part not approved by SOLF in combination with this appliance.
3. Installation and/or operation in a manner other than instructed in the manual.
4. The burning of anything other than the type of gas approved for use in the gas appliance.

The installation must conform with local codes or, in absence of local codes, with the current National Fuel Gas Code, ANSI Z223.1/NFPA 54. NFPA 54 defines the minimum space required for installation of this appliance.

This fireplace must be installed in an unconfined space with a minimum of 50 cubic feet per 1,000 BTUs of gas output. If the space you wish to install the fireplace does not meet these requirements NFPA 54 details several actions that may be taken.

WARNING Installation of this appliance should be done by a qualified service person.

NOTICE This appliance is not intended to be used as a primary source of heat.

CAUTION Do not connect appliance before pressure testing gas piping. Damage to gas valve may result and an unsafe condition may be caused.

INTRODUCTION

SELECTING LOCATION

To determine the safest and most efficient location for your appliance, you must take into consideration the following guidelines:

1. The location must allow for proper clearances (see clearance information on Page 18).
2. Consider a location where heat output would not be affected by drafts, air conditioning ducts, windows or doors.
3. A location that avoids the cutting of joists or roof rafters will make installation easier. Figure 2 shows a plan view of a few common locations.
4. An outside air kit is available with this fireplace.

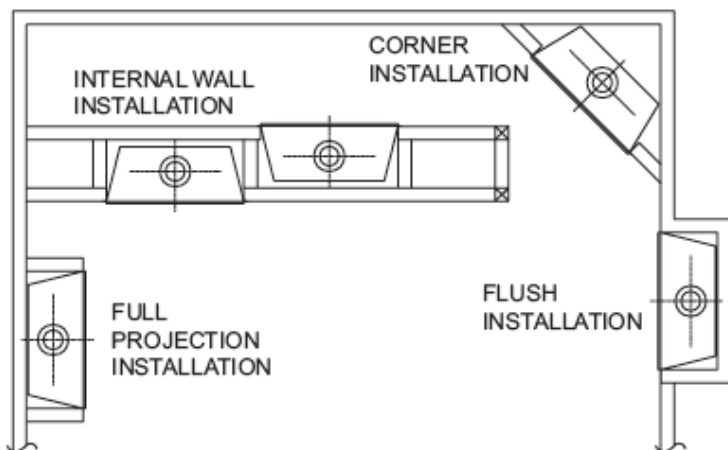


Figure 2 - Possible Locations for Installing Appliance

Flush installations are recommended where living space is limited or at a premium and since the space required to enclose the appliance would be located beyond an outside wall, this would also reduce the cutting of joists, roof rafters and such. Check local codes for any restrictions.

Projected installations can extend any distance into the room. A projection may be ideal for a new addition on an existing, finished wall.

Corner installations make use of space that may not normally be used and provides a wider and more efficient range for radiant heat transference.

Internal wall installations provide a discreet option for room separation and can also be ideal as an addition to an existing wall.

ELECTRICAL REQUIREMENTS

120V 20AMP dedicated.

COMMONWEALTH OF MASSACHUSETTS REQUIREMENTS

These appliances are approved for installation in the US state of Massachusetts if the following additional requirements are met:

- Install this appliance in accordance with Massachusetts Rules and Regulations 248 C.M.R. Sections 4.00 through 8.00.
- Installation and repair must be done by a plumber or gas fitter licensed in the Commonwealth of Massachusetts.
- The flexible gas line connector used shall not exceed 36 inches (92 centimeters) in length.
- The individual manual shutoff must be a T-handle type valve.

MINIMUM CLEARANCE TO COMBUSTIBLES

Back and sides of fireplace	0" (0 mm) min.
Floor**	0" (0 mm) min.
Perpendicular wall to opening	19" (483 mm) min.
Top of fireplace	0" or top of studs (0 mm) min.
Mantel clearances	see Mantels, Page 23
Chimney outer pipe surface	1" (26 mm) min.

⚠ WARNING Do not pack required air spaces with insulation or other materials.

MAKE-UP AIR REQUIREMENTS

Summit size	Configuration	CFM
96"	Front View	832
84"	Front View	731
72"	Front View	611
60"	Front View	512
48"	Front View	413
96"	Corner	1004
84"	Corner	903
72"	Corner	779
60"	Corner	681
48"	Corner	582
96"	Bay	1185
84"	Bay	1075
72"	Bay	948
60"	Bay	849
48"	Bay	751

⚠ WARNING Adequate fresh air must be provided for combustion; otherwise, improper operation and inadequate venting of deadly flue gases may result.

SERIAL LABEL



Manufactured by Grand Canyon Gas Logs
3515 E. Atlanta Ave. Phoenix, AZ 85040
07-00147

DO NOT REMOVE THIS LABEL
See installation & operating instructions for this model.
Contact local building officials about restrictions and
installation specifications in your area.

TESTED &
LISTED BY:



ANSI Z21.50-2019(R2024)
CSA 2.22-2019(R2024)
Vented decorative
gas appliances

DATE OF MFG.

SERIAL #

C US
REPORT NO.(F24-308)

MODEL: SML-<input type="checkbox"/> BRT-VEN 48 <input type="checkbox"/> 60 <input type="checkbox"/> 72 <input type="checkbox"/> 84 <input type="checkbox"/> 96 <input type="checkbox"/>	MODEL: SML-<input type="checkbox"/> BR-VEN 48 <input type="checkbox"/> 60 <input type="checkbox"/> 72 <input type="checkbox"/> 84 <input type="checkbox"/> 96 <input type="checkbox"/>
HIGH BTU/HR (kW): 69,000 (18.17kW) 95,000 (27.84kW) 95,000 (27.84kW) 105,000 (30.74kW) 120,000 (35.13kW)	HIGH BTU/HR (kW): 60,000 (17.58kW) 75,000 (21.98kW) 90,000 (26.38kW) 105,000 (30.74kW) 120,000 (35.13kW)
LOW BTU/HR (kW): 45,000 (13.19kW) 60,000 (17.58kW) 60,000 (17.58kW) 70,000 (20.49kW) 80,000 (23.42kW)	LOW BTU/HR (kW): 40,000 (11.72kW) 50,000 (14.65kW) 60,000 (17.58kW) 70,000 (20.49kW) 80,000 (23.42kW)
MODEL: SML-<input type="checkbox"/> BRT-VEP 48 <input type="checkbox"/> 60 <input type="checkbox"/> 72 <input type="checkbox"/> 84 <input type="checkbox"/> 96 <input type="checkbox"/>	MODEL: SML-<input type="checkbox"/> BR-VEP 48 <input type="checkbox"/> 60 <input type="checkbox"/> 72 <input type="checkbox"/> 84 <input type="checkbox"/> 96 <input type="checkbox"/>
HIGH BTU/HR (kW): 62,000 (18.17kW) 85,000 (21.98kW) 85,000 (21.98kW) 105,000 (30.74kW) 120,000 (35.13kW)	HIGH BTU/HR (kW): 60,000 (17.58kW) 75,000 (21.98kW) 90,000 (26.38kW) 105,000 (30.74kW) 120,000 (35.13kW)
LOW BTU/HR (kW): 30,000 (8.79kW) 40,000 (11.72kW) 40,000 (11.72kW) 55,000 (16.10kW) 60,000 (17.58kW)	LOW BTU/HR (kW): 30,000 (11.72kW) 40,000 (14.65kW) 50,000 (14.65kW) 55,000 (16.10kW) 60,000 (17.58kW)

NG Models

Altitude

Input

Reduced Input

P4

Manifold Pressure: 3.5" w.c.(NG)

Minimum Supply Pressure: 5" w.c. (NG), 10" w.c. (84"/96") (NG)

Maximum Supply Pressure: 7" w.c. (NG), 14" w.c. (84"/96") (NG)

Pression au Collecteur: .87wPA d'une colonne d'eau (GN)

Pression d'Alimentation Min.: 1.25wPA d'une colonne d'eau (GN)

Pression d'Alimentation Max.: 3.5wPA ** d'une colonne d'eau (GN) **

Maximum inlet pressure not to exceed 13".

Minimum clearance to combustible materials: Top, sides & back:

per standoff spacers for framing and finishing materials. For non-combustible framing and finishing materials, see installation manual.

MANIFOLD PRESSURE:

ELECTRICAL RATING: 120V/60HZ/20AMP Dedicated
GAS TYPE: NATURAL GAS / LIQUID PROPANE

LP Models

Élévation

Alimentation / Alimentation Réduite

P4

Manifold Pressure: 10" w.c. (LP)

Minimum Supply Pressure: 11" w.c. (LP)

Max. Supply Pressure: 14" w.c. (LP)

Pression au Collecteur: 2.40wPA d'une colonne d'eau (LP)

Pression d'Alimentation Min.: 2.74wPA d'une colonne d'eau (LP)

Pression d'Alimentation Max.: 3.5wPA * d'une colonne d'eau (LP)

** Pression d'alimentation maximale ne devait pas dépasser

3.5wPA. Dégagements minimaux des matériaux combustibles:

Dessus, côtés et arrière: selon les espaceurs de dégagements

pour les matériaux d'ossature selon le manuel du propriétaire pour les matériaux de finition.

VENTED DECORATIVE GAS APPLIANCE: NOT A SOURCE OF HEAT; NOT FOR USE WITH SOLID FUEL.
APPAREIL DÉCORATIF À GAZ VENTILÉ: PAS UNE SOURCE DE CHALEUR; NE PAS UTILISER AVEC DU COMBUSTIBLE SOLIDE.

The installation, including provisions for combustion, ventilation air, and required minimum permanent vent opening, must conform with National Fuel Gas Code (ANSI Z223.1/NFPA 54) and applicable local building codes.

L'installation, y compris les dispositions pour la combustion, l'air de ventilation et l'ouverture de ventilation permanente minimale requise, doit être conforme au National Fuel Gas Code (ANSI Z223.1 / NFPA 54) et aux codes du bâtiment locaux applicables.

⚠WARNING: This gas appliance **must not** be connected to a chimney fuel servicing a solid fuel burning appliance.

⚠AVERTISSEMENT: Cet appareil à gaz ne doit pas être raccordé à un combustible de cheminée desservant un appareil à combustible solide.

⚠WARNING: THIS FIREPLACE IS NOT INTENDED FOR BURNING SOLID FUELS.

⚠AVERTISSEMENT: CE FOYER N'EST PAS DESTINÉ À BRÛLER DES COMBUSTIBLES SOLIDES.

⚠WARNING: NOT FOR USE WITH GLASS DOORS.

⚠AVERTISSEMENT: NE PAS UTILISER AVEC DES PORTES EN VERRE.

GENERAL INFORMATION

How to Order

MODEL #ID	
SML	Summit Linear Luxury Fireplace
##	Size
BR	Bedrock Contemporary
BRT	Bedrock Traditional
VEN	Variable Electronic Natural Gas
VEP	Variable Electronic Propane

FIREPLACE BURNER SPECIFICATIONS - Bedrock Contemporary Models

NATURAL GAS MODELS

	Rated	Rated	Rated Manifold	Rated Inlet	Rated Inlet
LP Models	High	Low	Pressure	min	max
SML-48BR-VEN	60,000	40,000	3.5	5	7
SML-60BR-VEN	75,000	50,000	3.5	5	7
SML-72BR-VEN	90,000	60,000	3.5	5	7
SML-84BR-VEN	105,000	70,000	3.5	5	7
SML-96BR-VEN	120,000	80,000	3.5	5	7

LIQUID PROPANE MODELS

	Rated	Rated	Rated Manifold	Rated Inlet	Rated Inlet
LP Models	High	Low	Pressure	min	max
SML-48BR-VEP	60,000	30,000	10	11	14
SML-60BR-VEP	75,000	40,000	10	11	14
SML-72BR-VEP	90,000	50,000	10	11	14
SML-84BR-VEP	105,000	55,000	10	11	14
SML-96BR-VEP	120,000	60,000	10	11	14

GENERAL INFORMATION

FIREPLACE BURNER SPECIFICATIONS - Bedrock Traditional Models

NATURAL GAS MODELS

	Rated	Rated	Rated Manifold	Rated Inlet	Rated Inlet
NG Models	High	Low	Pressure	min	max
SML-48BRT-VEN	69,000	45,000	3.5	5	7
SML-60BRT-VEN	95,000	60,000	3.5	5	7
SML-72BRT-VEN	95,000	60,000	3.5	5	7
SML-84BRT-VEN	105,000	70,000	3.5	10	14
SML-96BRT-VEN	120,000	80,000	3.5	10	14

LIQUID PROPANE MODELS

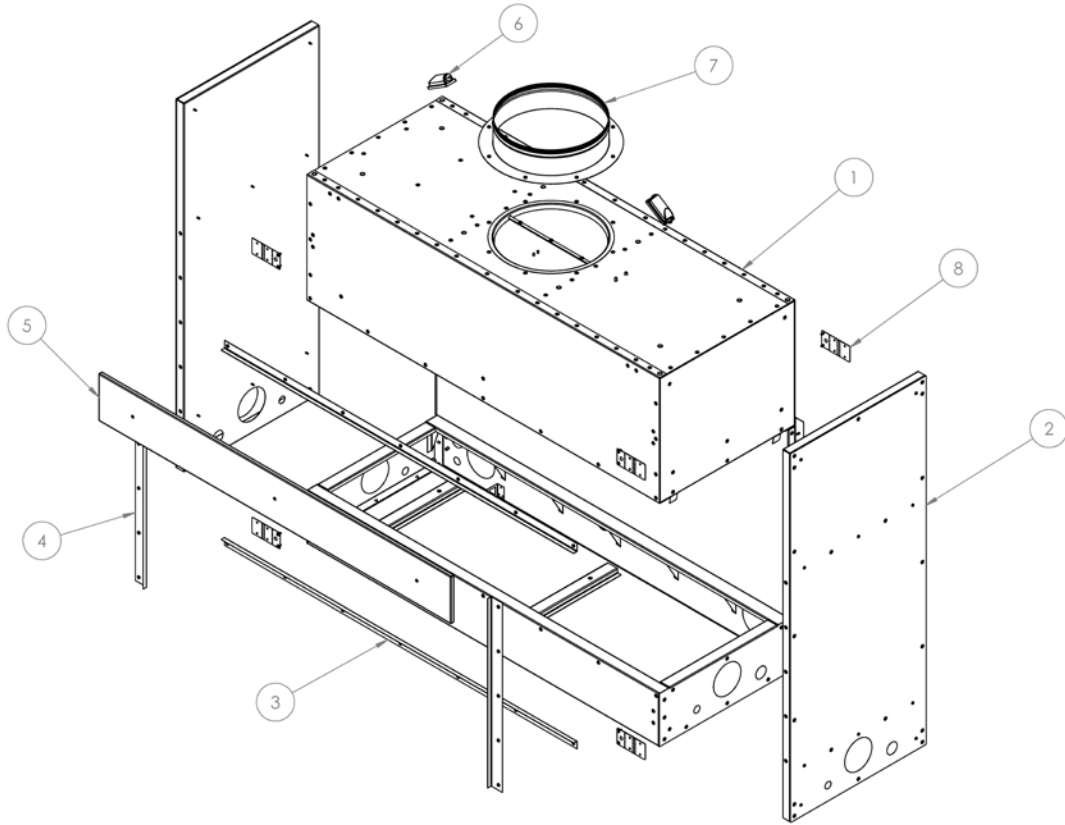
	Rated	Rated	Rated Manifold	Rated Inlet	Rated Inlet
LP Models	High	Low	Pressure	min	max
SML-48BRT-VEP	62,000	30,000	10	11	14
SML-60BRT-VEP	85,000	40,000	10	11	14
SML-72BRT-VEP	85,000	40,000	10	11	14
SML-72BRT-VEP	105,000	55,000	10	11	14
SML-72BRT-VEP	120,000	60,000	10	11	14

LOG IDENTIFICATION

LDBT-DW48	Bedrock Traditional 48" Western Driftwood logs
LDBT-DW60	Bedrock Traditional 60" Western Driftwood logs
LDBT-DW72	Bedrock Traditional 72" Western Driftwood logs
LDBT-DW84	Bedrock Traditional 84" Western Driftwood logs
LDBT-DW96	Bedrock Traditional 96" Western Driftwood logs

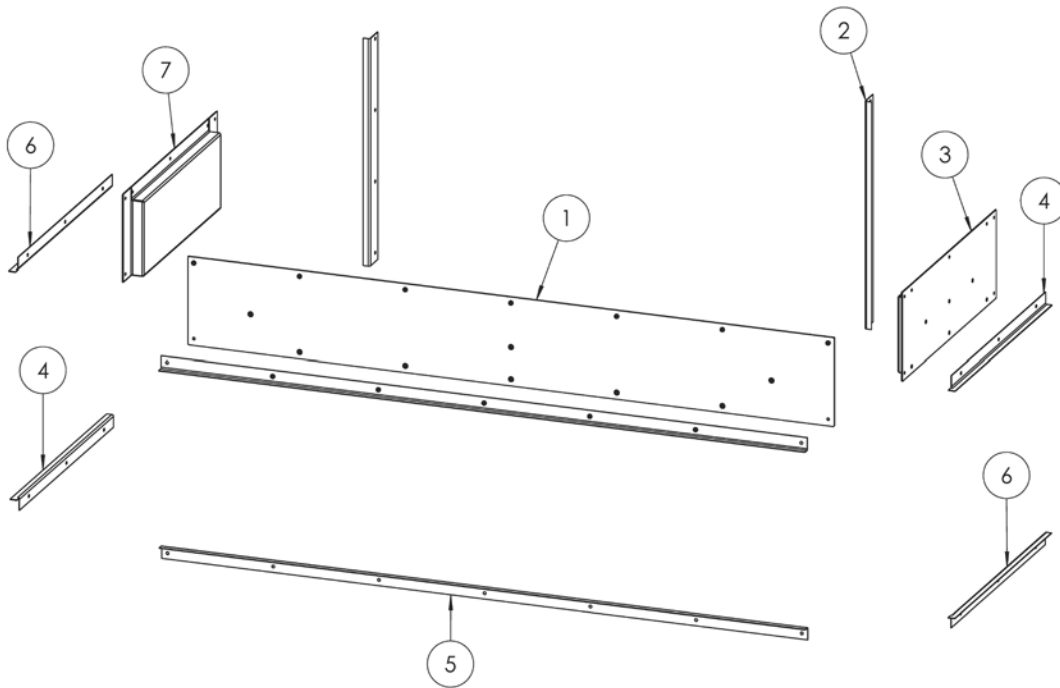
*BRT models ONLY

SUMMIT LINEAR-PARTS LIST



Item No.	Part Number	Configuration No.	Description	Quantity
1	SML-XXX-48		48 in Summit Linear Luxury Fireplace	1
	SML-XXX-60		60 in Summit Linear Luxury Fireplace	
	SML-XXX-72		72 in Summit Linear Luxury Fireplace	
	SML-XXX-84		84 in Summit Linear Luxury Fireplace	
	SML-XXX-96		96 in Summit Linear Luxury Fireplace	
2	13-00005		Side Panel	2
3	02-01004	-04	48 in Front Horizontal Drywall Stop	2
	02-01004	-05	60 in Front Horizontal Drywall Stop	
	02-01004	-06	72 in Front Horizontal Drywall Stop	
	02-01004	-07	84 in Front Horizontal Drywall Stop	
	02-01004	-08	96 in Front Horizontal Drywall Stop	
4	02-01019		24 in Vertical Drywall Stop	2
5	09-00043	-02	48 in Front Non-Com Board	1
	09-00043	-03	60 in Front Non-Com Board	
	09-00043	-04	72 in Front Non-Com Board	
	09-00043	-05	84 in Front Non-Com Board	
	09-00043	-06	96 in Front Non-Com Board	
6	01-00202		Light Assembly	2
7	02-01001		Flue Collar	1
8	02-01043		Nailing Bracket	8

OPTIONAL VIEWING REDUCTION KIT

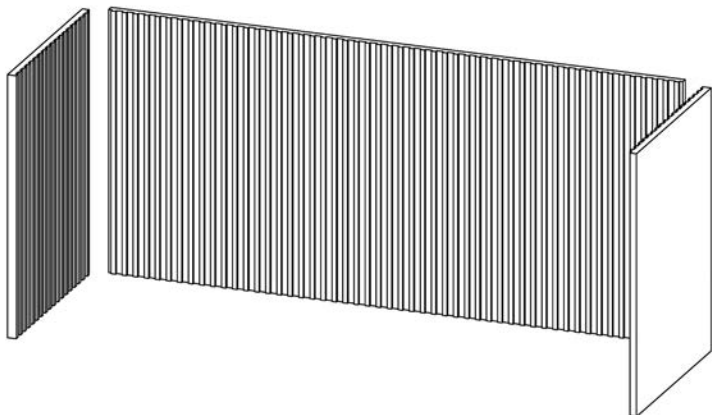


Item No.	Part Number	Configuration No.	Description	Quantity
1	02-01015	-03	48 in Front Viewing Reduction Plate	1
	02-01015	-04	60 in Front Viewing Reduction Plate	
	02-01015	-05	72 in Front Viewing Reduction Plate	
	02-01015	-06	84 in Front Viewing Reduction Plate	
	02-01015	-07	96 in Front Viewing Reduction Plate	
2	02-01019		Vertical Side Drywall Stop	2
3	02-01015		Right Side Viewing Reduction Plate	1
4	02-01042		Side Drywall Stop	2
5	02-01004	-04	48 in Front Horizontal Drywall Stop	2
	02-01004	-05	60 in Front Horizontal Drywall Stop	
	02-01004	-06	72 in Front Horizontal Drywall Stop	
	02-01004	-07	84 in Front Horizontal Drywall Stop	
	02-01004	-08	96 in Front Horizontal Drywall Stop	
6	02-01041		Side Drywall Stop	2
7	02-01016		Left Side Viewing Reduction Plate	1

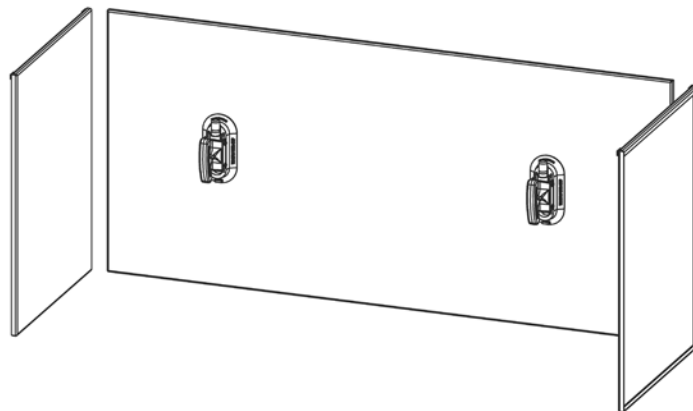
Model Number	Configuration No.	Description
SML-VRK-48		48 in Viewing Reduction Kit
SML-VRK-60		60 in Viewing Reduction Kit
SML-VRK-72		72 in Viewing Reduction Kit
SML-VRK-84		84 in Viewing Reduction Kit
SML-VRK-96		96 in Viewing Reduction Kit

Note: You can not sell glass panels or concrete panels with viewing reduction kit.

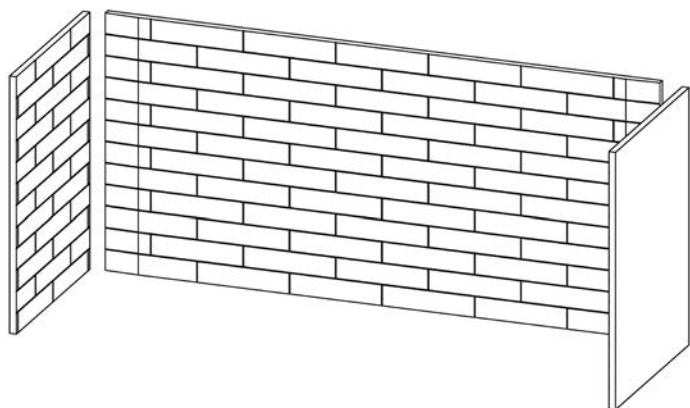
INTERIOR PANEL KITS



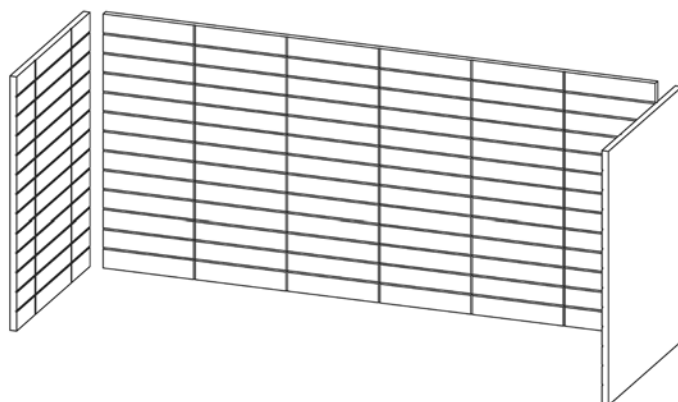
Fluted Fiber Panel



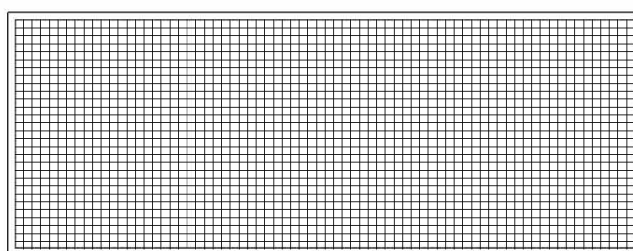
Glass Black Panel



Off-Set Fiber Black Brick Panel



Stacked Fiber Brick Gray Panel



Invisimesh

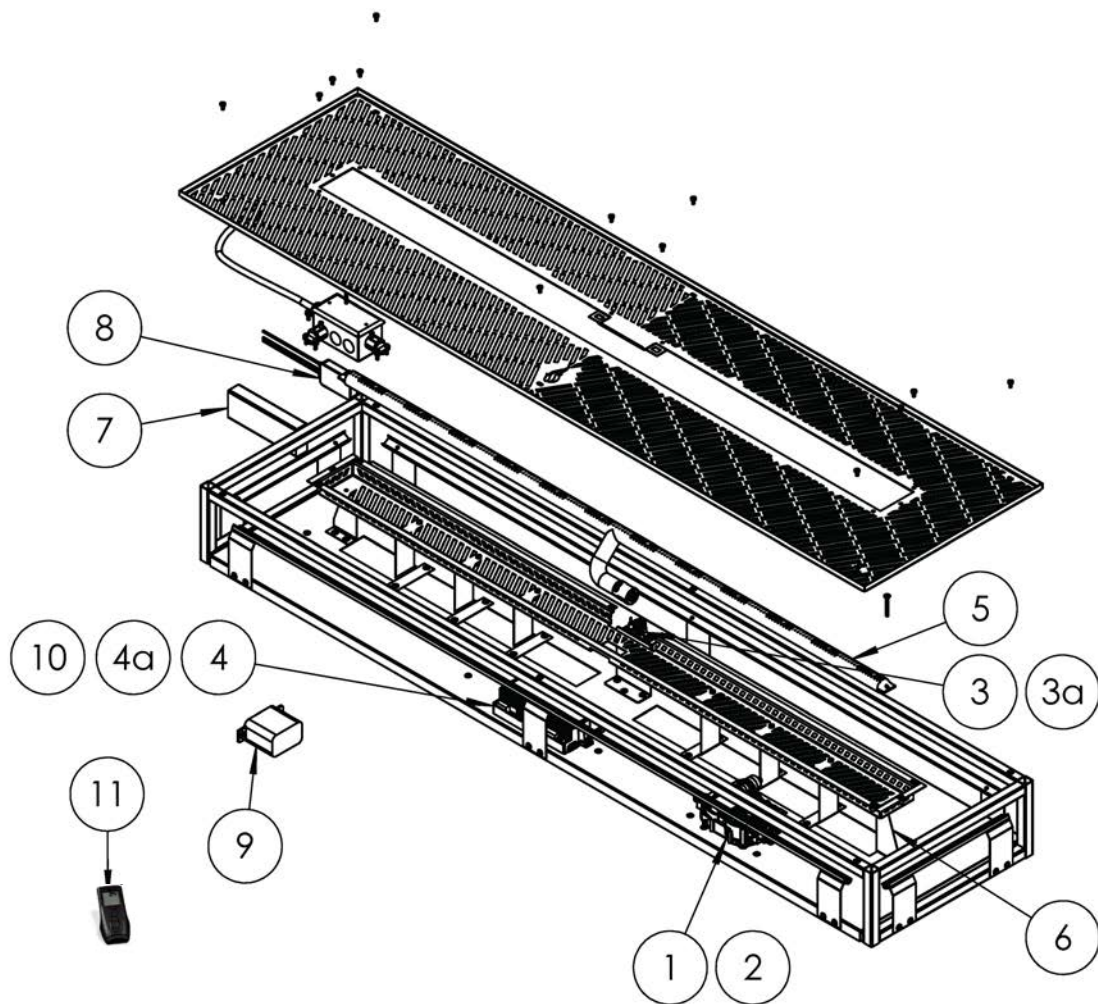
Model Number	Configuration No.	Material
SML-XX-FFB		FFP = Fluted Fiber Panel
SML-XX-GBP		GBP = Glass Black Panel
SML-XX-OFBB		OFBB = Off-Set Fiber Black Brick Panel
SML-XX-SFBG		SFBG = Stacked Fiber Brick Gray Panel
SML-XX-MSH		MSH = Invisimesh

Sizes
XX = 48
XX = 60
XX = 72
XX = 84
XX = 96

ALL Summit Linear Fireplaces can accommodate up to 1-1/2" hand-laid brick panels. IF installing hand-laid brick panels, SML-HBDS MUST be installed at the framing stage. These drywall stops are included in EVEN Summit Linear Fireplace.

SML-MBP are now included with the fireplace

PARTS LIST-BEDROCK CONTEMPORARY MODELS

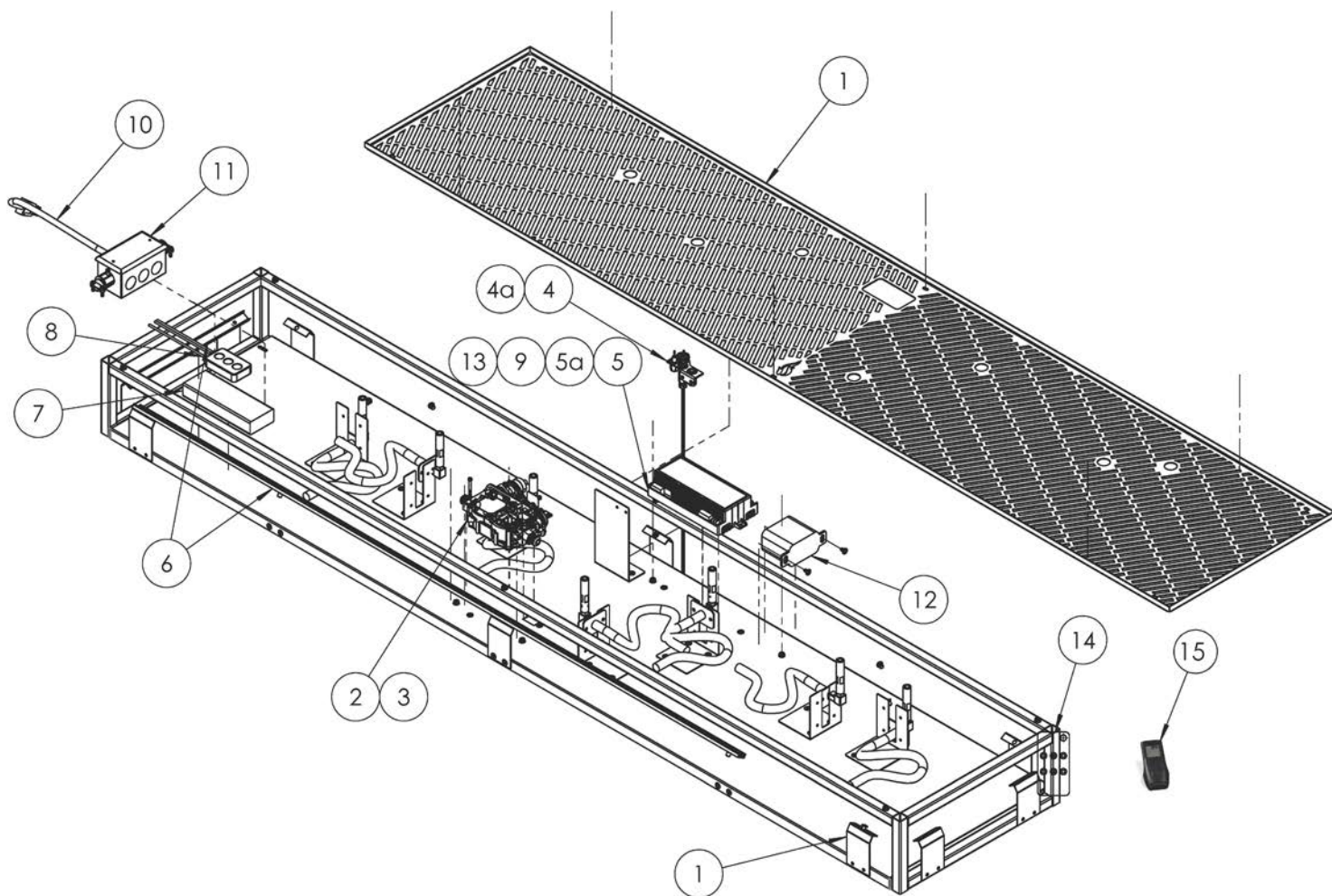


Part List

#	Part #	Description	#	Part#	Description
1	0.885.006	PF Modulating Valve (NG) 1.6-3.5" W.C	6	WS2811 60L	LED Assembly (Cut to Size)
2	0.907.015	C.K Step-M LPG 11-2.9" W.C (LP Models ONLY)	7	12V 5A	LED Light Power Supply
3	0.199.160	Pilot Burner Assembly	8	SP630E	WI-FI/RF Controller (Includes Remote + Receiver)
3.a.	0.977.167	LP Pilot Orifice (LP Models ONLY)	9	0.584.103	Proflame2 Battery Holder
4	0.584.920	Proflame2 Wireharness X5	10	0.584.665	Proflame2 IFC Board 0.8sec FFRT
4.a.	0.584.922	Proflame Harness X8	11	0.584.042	Proflame2 Tx TMFL-Black
5		Burner Tube Assembly			

*Glass media NOT INCLUDED, refer to installation instructions (page 31, Step 10) for glass usage.

PARTS LIST-BEDROCK TRADITIONAL MODELS



Part List

#	Part #	Description	#	Part#	Description
1	02-00741-01	48" Sheet metal, Ember Tray, Log Index	7	12V 5 A	LED Light power supply
	02-00741-02	60" Sheet metal, Ember Tray, Log Index	8	SP601E	WI-FI / RF Controler
	02-00741-03	72" Sheet metal, Ember Tray, Log Index	9	01-00057	ProFlamee II Power Connector
2	0.885.006	PF Modulating Valve (NG) 1.6-3.5" W.C	10	A01630	6' Power Cord
3	0.907.015	C.K Step-M LPG 11-2.9" W.C (LP Models ONLY)	11	71695K461	Electrical Box
4	0.199.060	Pilot Burner Assembly	12	0.584.103	Proflame 2 Battery Holder
4.a	0.977.167	LP Pilot Orifice (LP Models ONLY)	13	0.584.306	Proflame2 IFC Board 0.8sec FFRT
5	0.584.920	Proflame2 Wireharness X5	14	LED-RMT	LED Light Remote
5.a	0.584.922	Proflame Harness X8	15	0.584.042	Proflame2 Tx TMFL-BLACK
6	02-00123	LED Assembly			

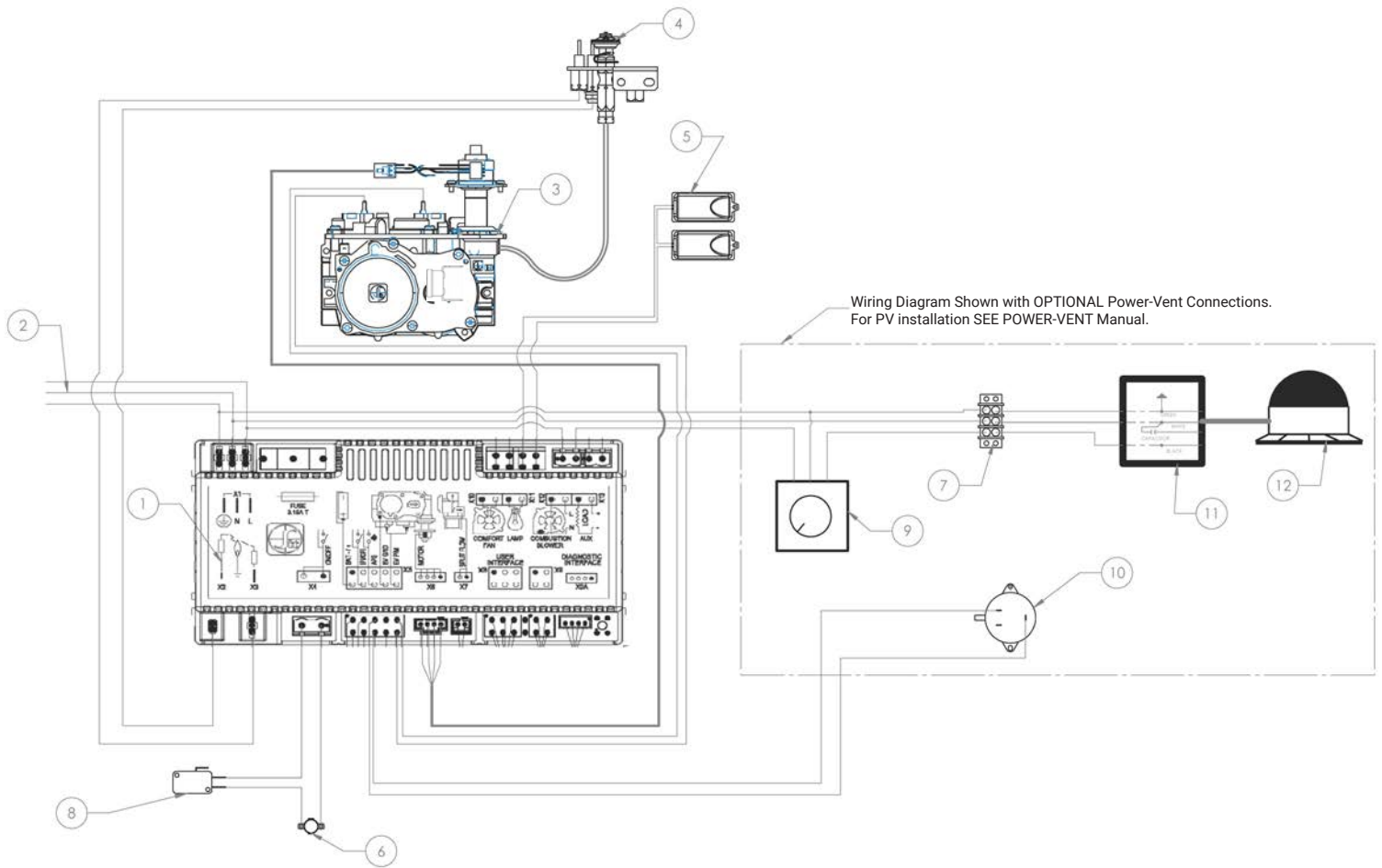
PARTS LIST-BEDROCK TRADITIONAL MODELS (DRIFTWOOD GLOWFIRE™ LOGS)



#	part#	Description	#	Part #	Description	#	Part #	Description
1	LDBTWD-48	48" Frame for Drop-in Burner		05-00185	LOG #11 Burner Log		05-00184	LOG #10 Burner Log
2	LDBTWD-60	60" Frame for Drop-in Burner		05-00186	LOG #12 Burner Log		05-00185	LOG #11 Burner Log
3	LDBTWD-72	72" Frame for Drop-in Burner		05-00187	LOG #13 Burner Log		05-00186	LOG #12 Burner Log
4	LDBTWD-84	84" Frame for Drop-in Burner	3	LDBTWD-72	72" Bedrock Western Driftwood Log Set		05-00187	LOG #13 Burner Log
5	LDBTWD-96	96" Frame for Drop-in Burner		05-00175	LOG #1 Burner Log		05-00217	LOG #16 Burner Log
1	LDBTWD-48	48" Bedrock Western Driftwood Log set		05-00176	LOG #2 Burner Log		05-00218	LOG #17 Burner Log
		05-00175		05-00177	LOG #3 Burner Log		05-00220	LOG #19 Burner Log
		05-00176		05-00178	LOG #4 Burner Log		05-00221	LOG #20 Burner Log
		05-00177		05-00179	LOG #5 Burner Log		05-00266	LOG #21 Burner Log
		05-00178		05-00180	LOG #6 Burner Log	5	LDBTWD-96	96" Bedrock Western Driftwood Log Set
		05-00179		05-00181	LOG #7 Burner Log		05-00176	LOG #2 Burner Log
		05-00182		05-00182	LOG #8 Burner Log		05-00178	LOG #4 Burner Log
		05-00183		05-00183	LOG #9 Burner Log		05-00181	LOG #7 Burner Log
		05-00188		05-00184	LOG #10 Burner Log		05-00182	LOG #8 Burner Log
2	LDBTWD-60	60" Bedrock Western Driftwood Log Set		05-00185	LOG #11 Burner Log		05-00183	LOG #9 Burner Log
		05-00175		05-00186	LOG #12 Burner Log		05-00184	LOG #10 Burner Log
		05-00176		05-00187	LOG #13 Burner Log		05-00185	LOG #11 Burner Log
		05-00177		05-00188	LOG #14 Burner Log		05-00186	LOG #12 Burner Log
		05-00178		05-00189	LOG #15 Burner Log		05-00187	LOG #13 Burner Log
		05-00179	4	LDBTWD-84	84" Bedrock Western Driftwood Log Set		05-00188	LOG #14 Burner Log
		05-00180		05-00176	LOG #2 Burner Log		05-00217	LOG #16 Burner Log
		05-00181		05-00178	LOG #4 Burner Log		05-00218	LOG #17 Burner Log
		02-00182		05-00181	LOG #7 Burner Log		05-00220	LOG #19 Burner Log
		05-00183		05-00182	LOG #8 Burner Log		05-00221	LOG #20 Burner Log
		05-00184		05-00183	LOG #9 Burner Log		05-00266	LOG #21 Burner Log

WIRING DIAGRAM

System Configuration:



Sl. No	Part Number	Description	Qty.
1	0.584.665	Proflame II IFC Board	1
2		Power Inlet	1
3	0.885.006 (NG)	SIT Valve	1
4	0.199.160 (NG)	Pilot	1
5	01-00202	Dome Lights	2
6		Spill Switch	1
7		Optional - Terminal Block	1
8		Limit Switch	1
9		Optional - Variable Speed Switch	1
10		Optional - Pressure Switch	1
11		Optional - Junction Box	1
12		Optional - Enervex Fan	1

Summit Linear Manual Reset Thermostat °F		
Contemporary Burner NG/PL		
Model	Temperature Rating °F	Part Number
Summit Linear 48"	265°	01-00209-01
Summit Linear 60"	290°	01-00209-02
Summit Linear 72"	290°	01-00209-02
Summit Linear 84"	250°	01-00209-05
Summit Linear 96"	250°	01-00209-05

Summit Linear Manual Reset Thermostat °F		
Traditional Burner NG/PL		
Model	Temperature Rating °F	Part Number
Summit Linear 48"	265°	01-00209-01
Summit Linear 60"	290°	01-00209-02
Summit Linear 72"	290°	01-00209-02
Summit Linear 84"	290°	01-00209-02
Summit Linear 96"	290°	01-00209-02

SPILL SWITCH

HOW TO RESET THE MANUAL SPILL SWITCH:

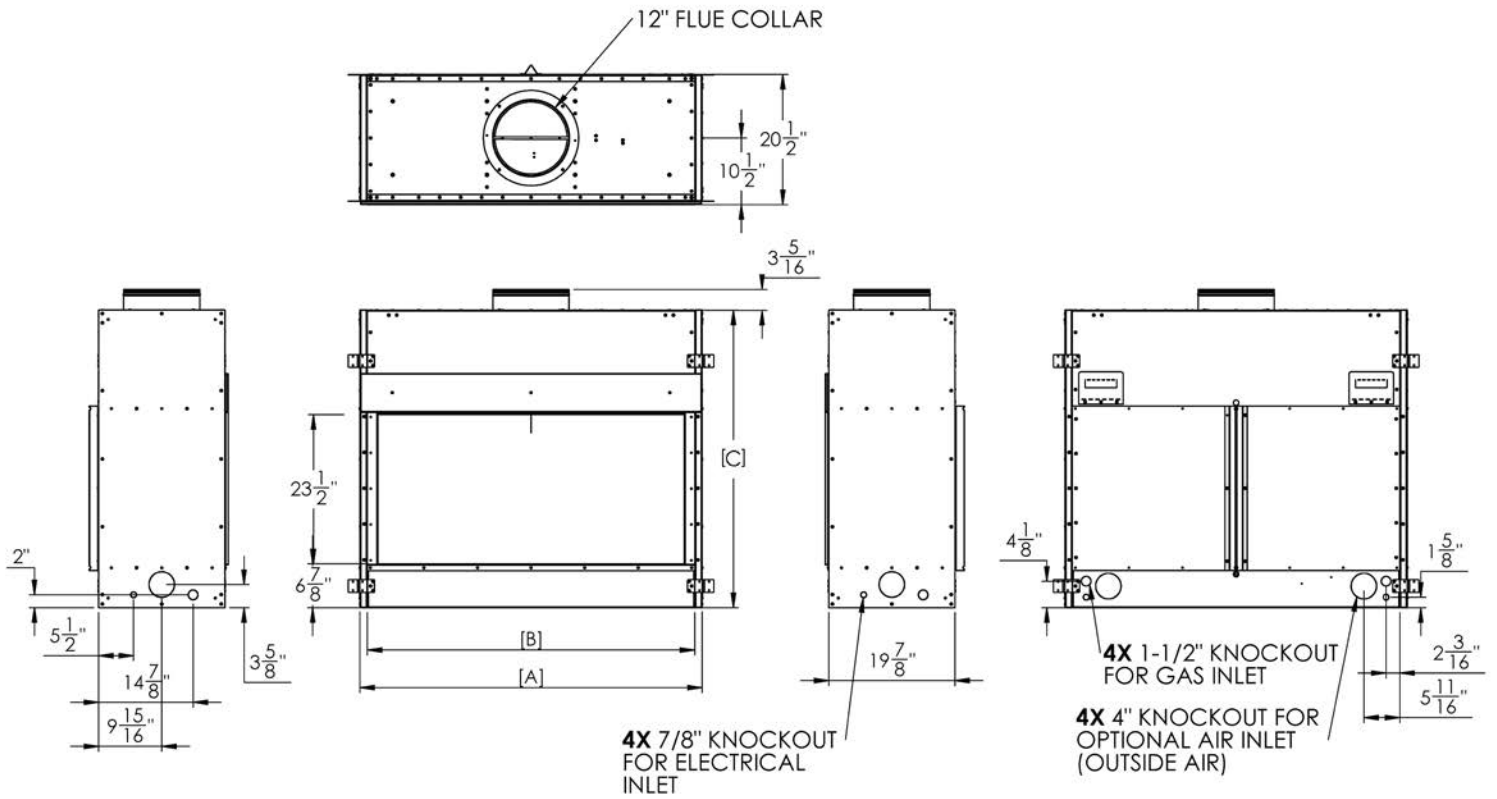
How to reset the manual spill switch:

1. Locate the thermostat in the front center section of the dome.
2. Remove both screws holding in the thermostat.
3. Press the button located between the terminals on the back of the thermostat.
4. Reinstall thermostat using the same screws.

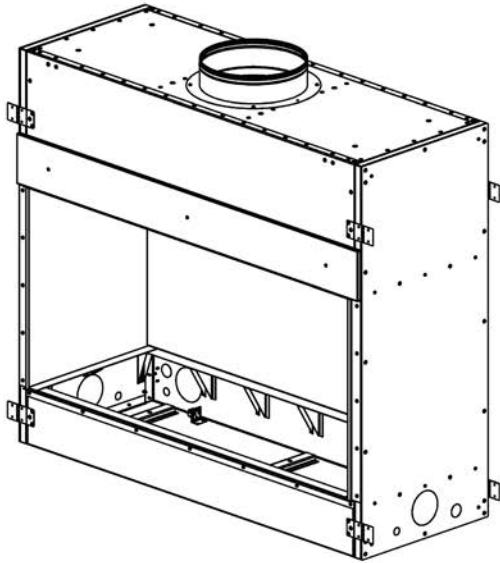


PHYSICAL DIMENSIONS

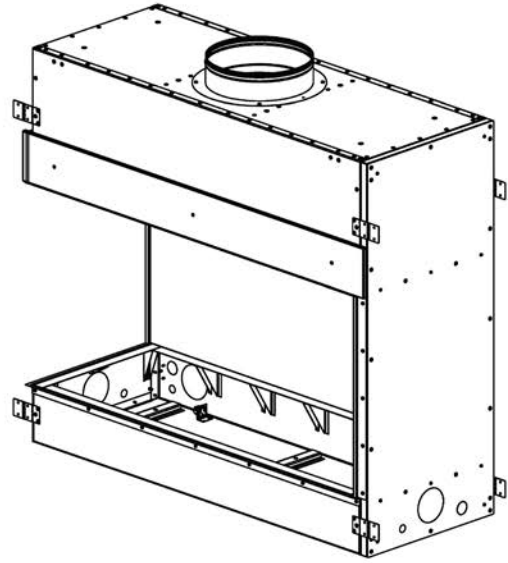
Model	DIMENSIONS			WEIGHT(LBS)
	A	B	C	
SML-48XXX-XX	54"	52 9/16"	47"	310
SML-60XXX-XX	66"	64 9/16"	47"	355
SML-72XXX-XX	78"	76 9/16"	47"	395
SML-84XXX-XX	90"	88 9/16"	53"	485
SML-96XXX-XX	102"	100 9/16"	53"	530



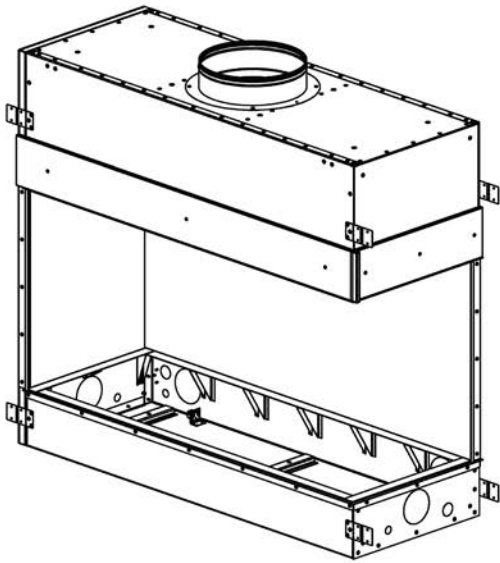
SUMMIT FIREPLACE CONFIGURATIONS



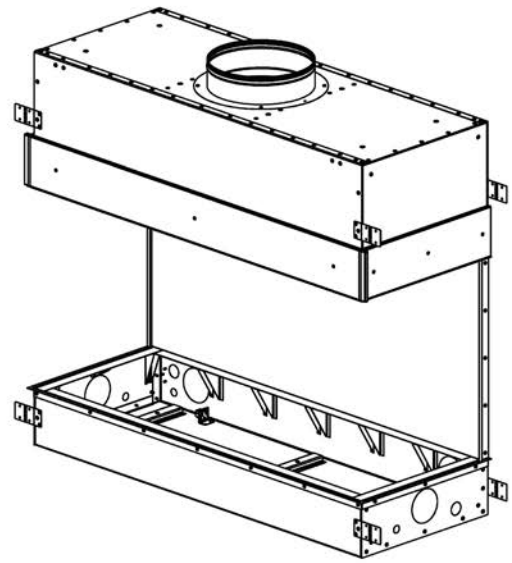
FRONT VIEW



LEFT CORNER



RIGHT CORNER

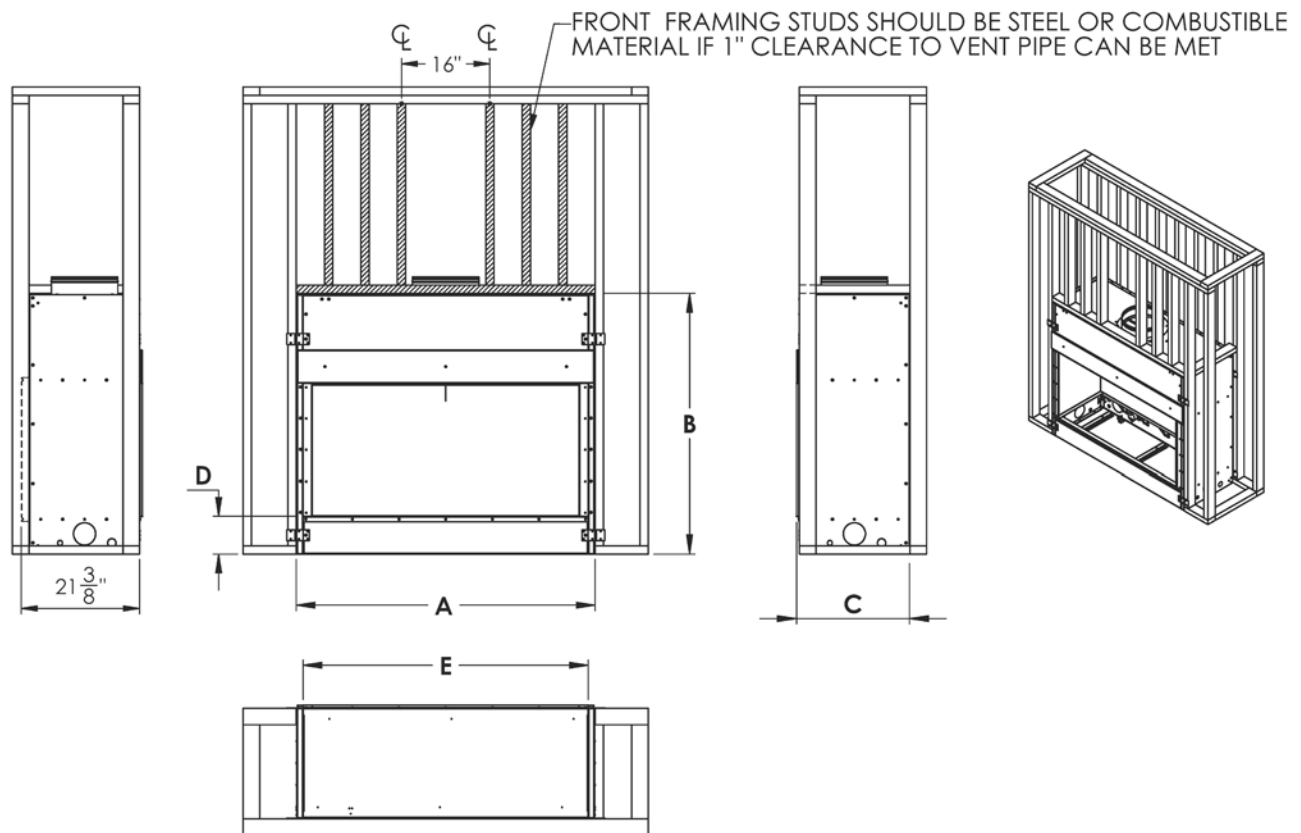


BAY VIEW

Figure 9 - Fireplace Configurations

FRAMING FRONT VIEW DIMENSIONS

MODEL	FRAMING DIMENSION			BOTTOM TO DRYWALL STOP	VIEWING AREA
	A	B	C	D	E
SML-48XXX-XX	54 3/8"	47"	21 3/4"	6 3/4"	50 7/16"
SML-60XXX-XX	66 3/8"	47"	21 3/4"	6 3/4"	62 7/16"
SML-72XXX-XX	78 3/8"	47"	21 3/4"	6 3/4"	74 7/16"
SML-84XXX-XX	90 3/8 "	53"	21 3/4"	6 3/4"	86 7/16"
SML-96XXX-XX	102 3/8"	53"	21 3/4"	6 3/4"	98 7/16"



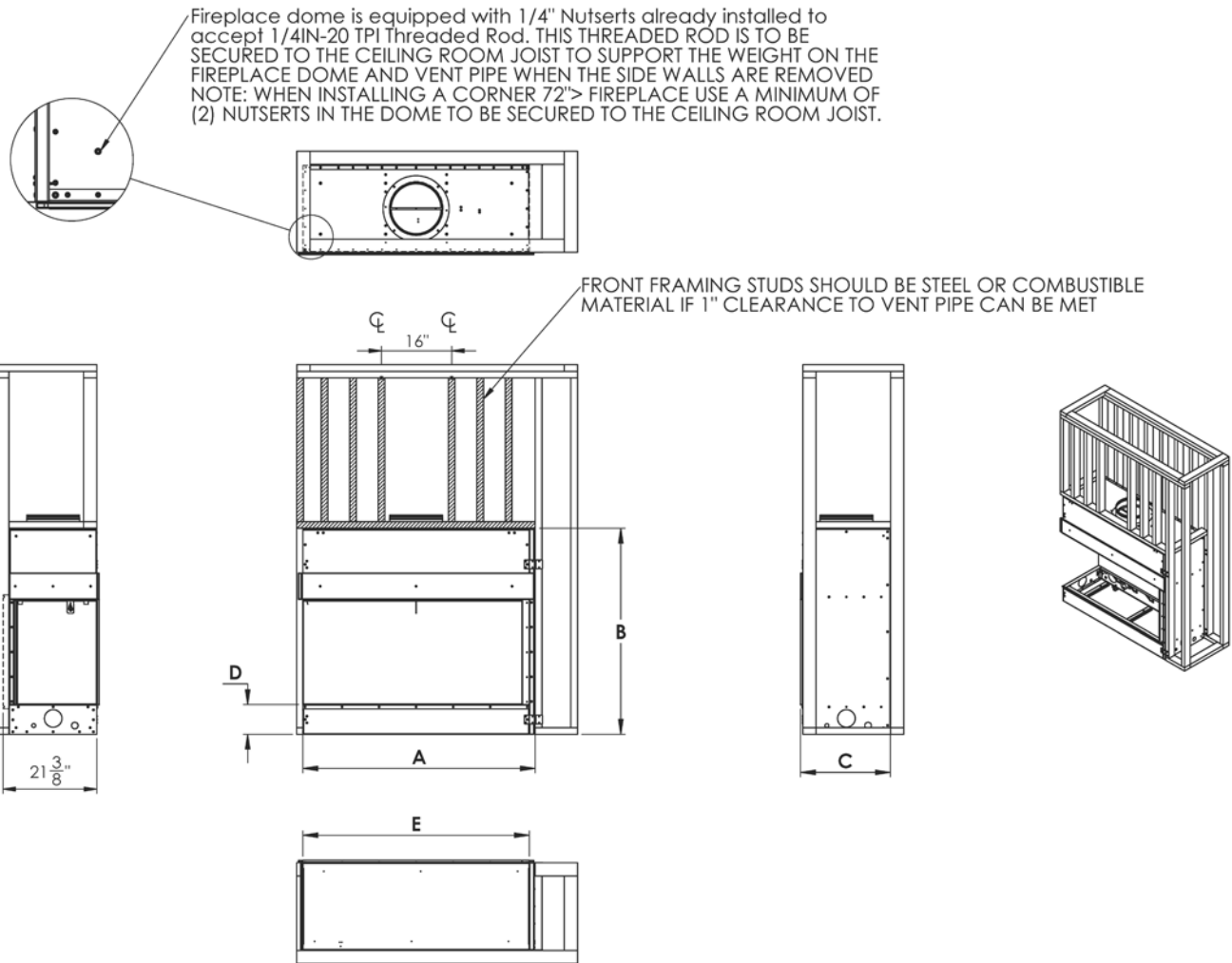
FRAMING

1. Frame opening for fireplace using dimensions shown in following pages.
2. If fireplace is to be installed directly on carpeting, tile (other than ceramic), or any combustible material other than wood flooring, fireplace must be installed upon a metal or wood panel extending full width and depth of fireplace.
3. Set fireplace directly in front of the opening and slide unit back until nailing flanges touch side framing.
4. Check level of the fireplace and shim with sheet metal if necessary.
5. Using screws or nails, secure fireplace to framing through flanges located on sides of fireplace.

⚠ WARNING When finishing appliance, do not overlap combustible material from viewing area up 6". Brick, tile, or other non combustible materials may be applied to the face.

FRAMING LEFT CORNER DIMENSIONS

MODEL	FRAMING DIMENSIONS			BOTTOM TO DRYWALL STOP	VIEWING AREA
	A	B	C	D	E
SML-48XXX-XX	54 3/8"	47"	21 3/4"	6 3/4"	50 7/8"
SML-60XXX-XX	66 3/8"	47"	21 3/4"	6 3/4"	62 7/8"
SML-72XXX-XX	78 3/8"	47"	21 3/4"	6 3/4"	74 7/8"
SML-84XXX-XX	90 3/8"	53"	21 3/4"	6 3/4"	86 7/8"
SML-96XXX-XX	102 3/8"	53"	21 3/4"	6 3/4"	98 7/8"

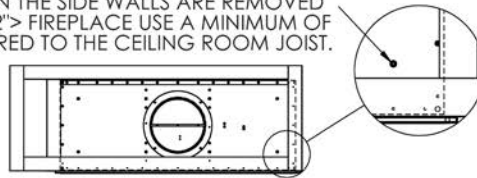


* All-Tread designed to support fireplace dome and pipe and not finished wall material. Installer to provide additional support for finished wall material.

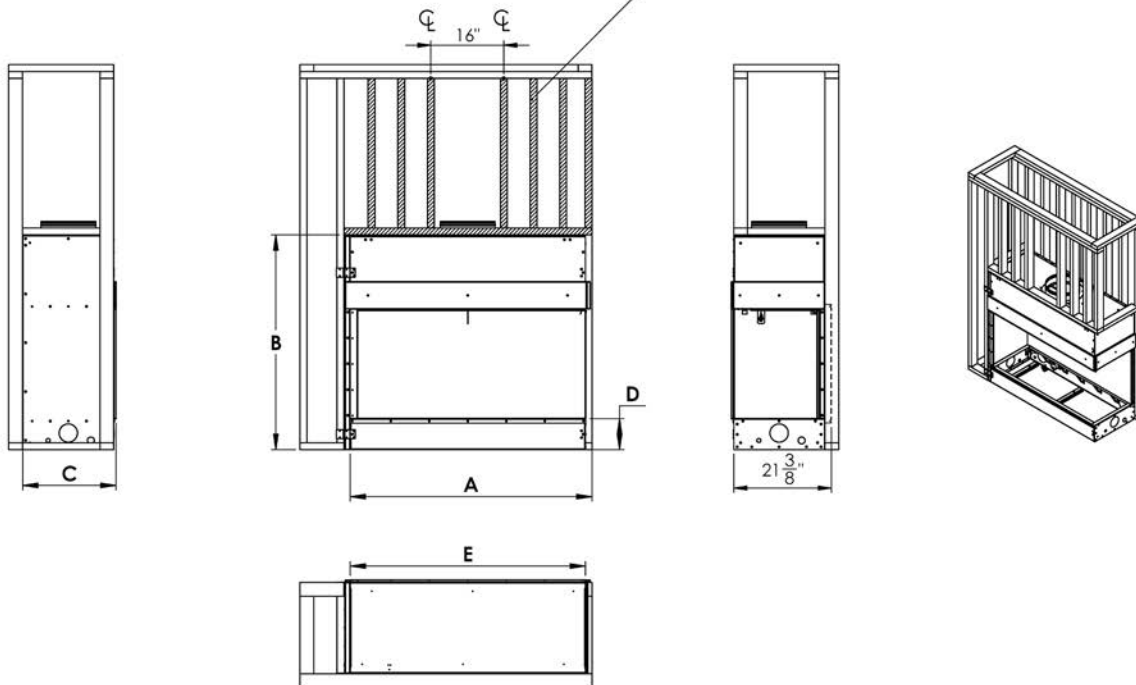
FRAMING RIGHT CORNER DIMENSIONS

MODEL	FRAMING DIMENSIONS			BOTTOM TO DRYWALL STOP	VIEWING AREA
	A	B	C	D	E
SML-48XXX-XX	54 3/8"	47"	21 3/4"	6 3/4"	50 7/8"
SML-60XXX-XX	66 3/8"	47"	21 3/4"	6 3/4"	62 7/8"
SML-72XXX-XX	78 3/8"	47"	21 3/4"	6 3/4"	74 7/8"
SML-84XXX-XX	90 3/8"	53"	21 3/4"	6 3/4"	86 7/8"
SML-96XXX-XX	102 3/8"	53"	21 3/4"	6 3/4"	98 7/8"

Fireplace dome is equipped with 1/4" Nutserts already installed to accept 1/4IN-20 TPI Threaded Rod. THIS THREADED ROD IS TO BE SECURED TO THE CEILING ROOM JOIST TO SUPPORT THE WEIGHT ON THE FIREPLACE DOME AND VENT PIPE WHEN THE SIDE WALLS ARE REMOVED
 NOTE: WHEN INSTALLING A CORNER 72" > FIREPLACE USE A MINIMUM OF (2) NUTSERTS IN THE DOME TO BE SECURED TO THE CEILING ROOM JOIST.



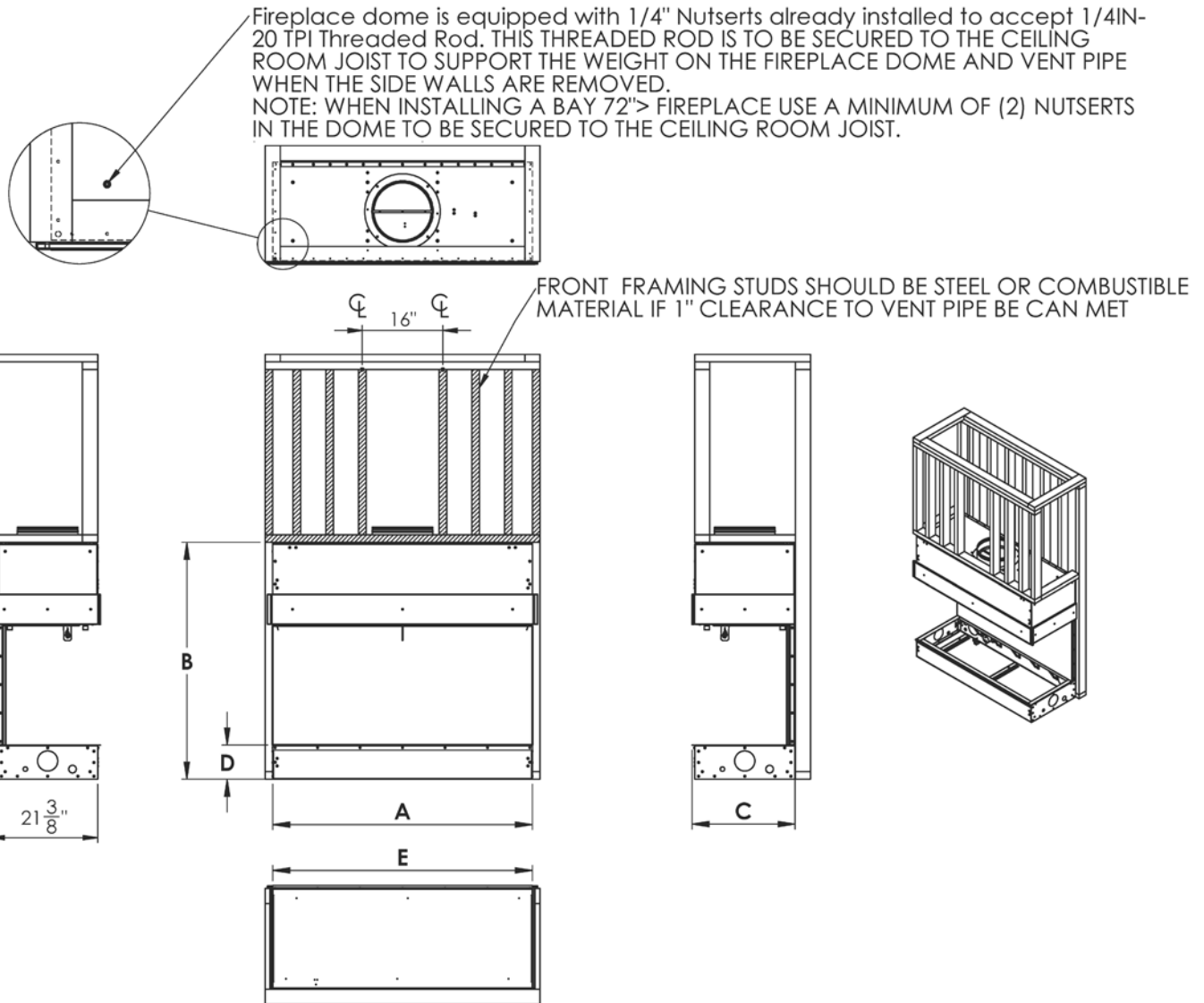
FRONT FRAMING STUDS SHOULD BE STEEL OR COMBUSTIBLE MATERIAL IF 1" CLEARANCE TO VENT PIPE CAN BE MET



* All-Tread designed to support fireplace dome and pipe and not finished wall material. Installer to provide additional support for finished wall material.

FRAMING BAY DIMENSIONS

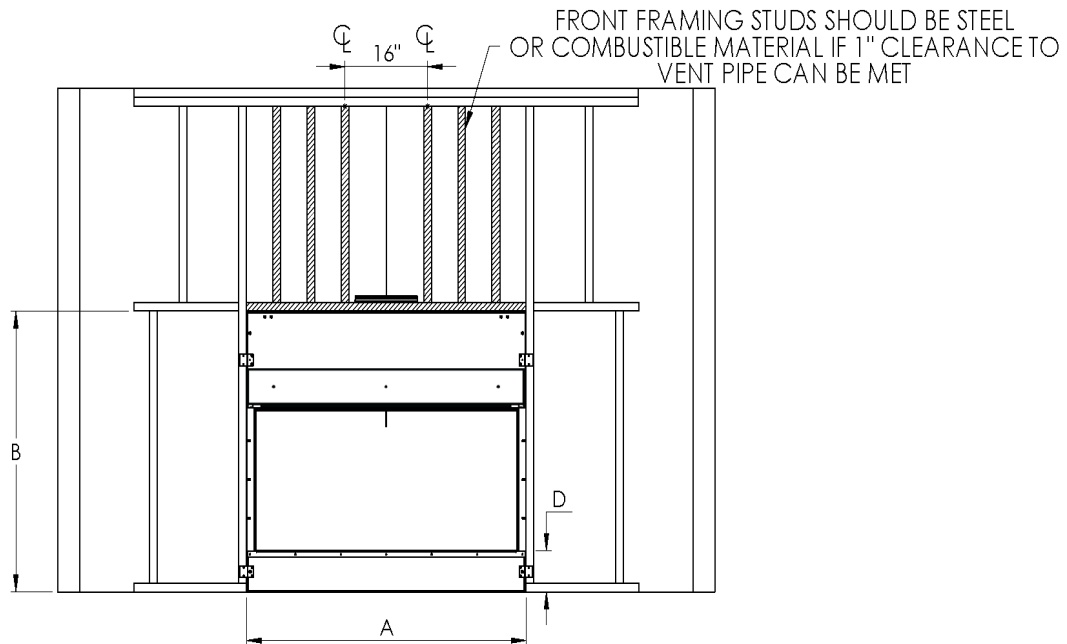
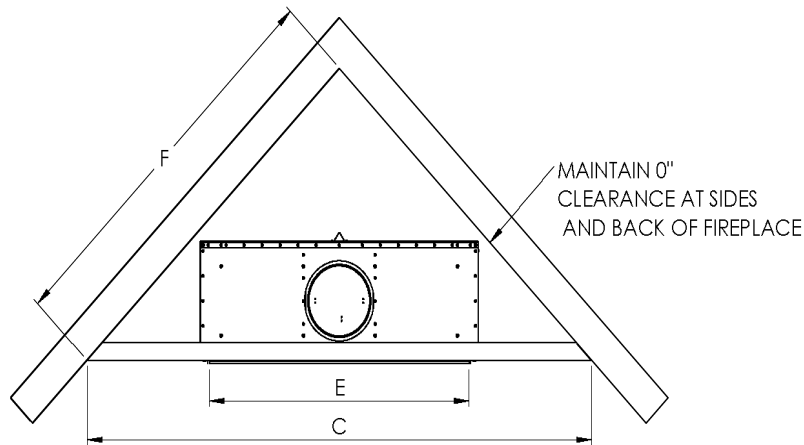
MODEL	FRAMING DIMENSIONS			BOTTOM TO DRYWALL STOP	VIEWING AREA
	A	B	C	D	E
SML-48XXX-XX	54 3/8"	47"	21 3/4"	6 3/4"	50 7/8"
SML-60XXX-XX	66 3/8"	47"	21 3/4"	6 3/4"	62 7/8"
SML-72XXX-XX	78 3/8"	47"	21 3/4"	6 3/4"	74 7/8"
SML-84XXX-XX	90 3/8"	53"	21 3/4"	6 3/4"	86 7/8"
SML-96XXX-XX	102 3/8"	53"	21 3/4"	6 3/4"	98 7/8"



* All-Tread designed to support fireplace dome and pipe and not finished wall material. Installer to provide additional support for finished wall material.

CORNER INSTALLATION

MODEL	FRAMING DIMENSIONS			BOTTOM TO DRYWALL STOP	VIEWING AREA	ANGLE
	A	B	C	C	E	F
SML-48XXX-XX	54 3/8"	47"	97 3/4"	6 3/4"	50 1/4"	68 1/8"
SML-60XXX-XX	66 3/8"	47"	109 3/4"	6 3/4"	62 1/4"	77 1/8"
SML-72XXX-XX	78 3/8"	47"	121 3/4"	6 3/4"	74 1/4"	85 1/8"
SML-84XXX-XX	90 3/8"	53"	133 3/4"	6 3/4"	86 1/4"	94 1/8"
SML-96XXX-XX	102 3/8"	53"	145 3/4"	6 3/4"	95 1/4"	102 1/8"



* All-Tread designed to support fireplace dome and pipe and not finished wall material. Installer to provide additional support for finished wall material.

PRE-INSTALLATION

MANTLES

A combustible mantle shelf may be installed a maximum 12" (22.9 cm) from the wall. Figures 15 and 16 show the minimum allowable distances from various combustible mantle components in relation to the fireplace opening.

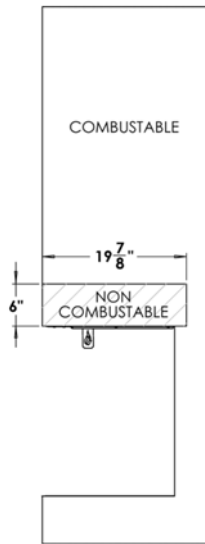


Figure 15 - Finishing Material - Side View

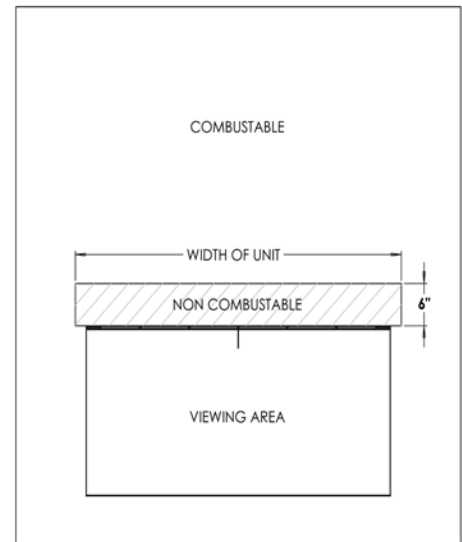


Figure 16 - Finishing Material - Front View

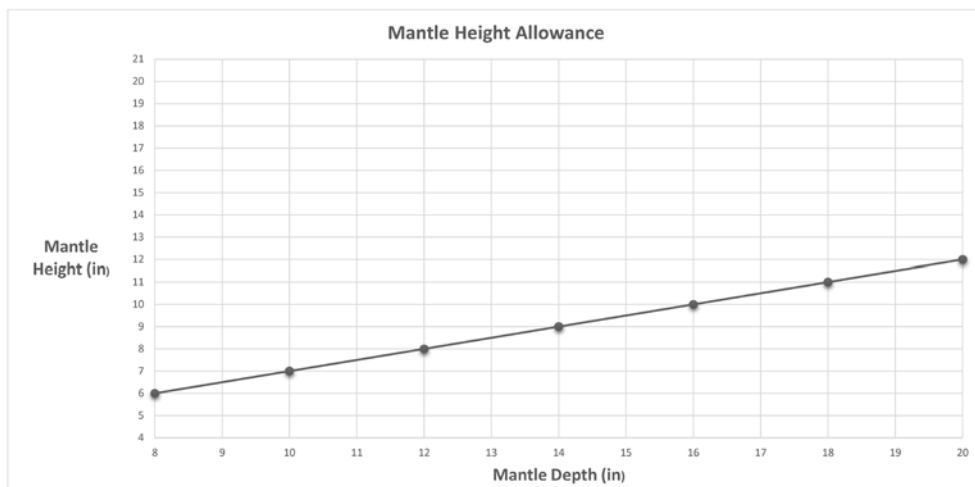


Figure 17 - Mantle Height-Depth Chart

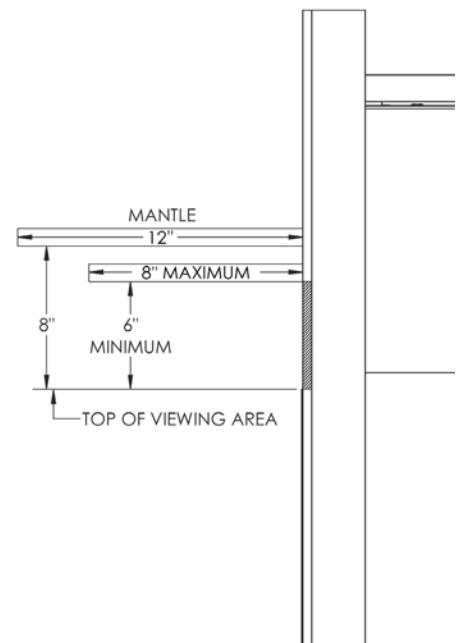
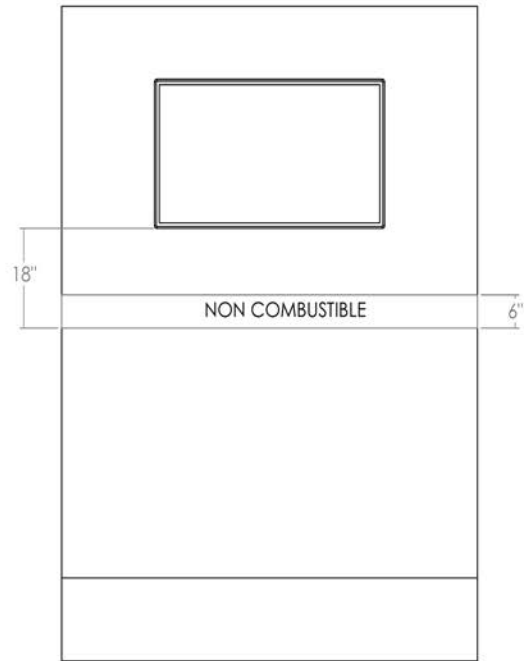
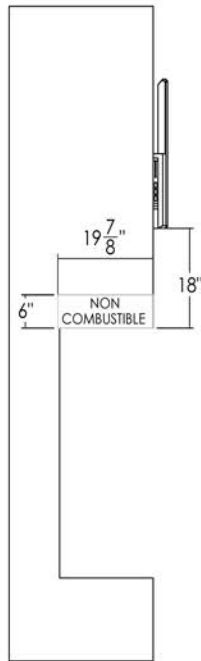


Figure 18 - Mantle Heights

REQUIREMENTS FOR TV INSTALLATION

You can safely place a TV above the Summit fireplace, but the required clearance will depend on the TV manufacturer's guidelines. To bring the TV closer to the fireplace opening, a non-combustible mantel may be necessary for heat deflection.

When installing a TV 18" above the opening of the fireplace a mantel for heat deflection is required. If installing a TV 18" or more above the opening please refer to the TV manufacturer's required clearances guideline.



DAMPER HANDLE OPERATION

The damper handle, which opens and closes the damper blade, is located in the upper front face of the fireplace. When the handle is visible in the viewing area, the damper plate is closed.

THE UNIT SHOULD NEVER BE OPERATED WHILE DAMPER PLATE IS IN THE CLOSED POSITION

To open the damper plate when in the closed position:
Pull the handle back and push up through the key-way.
Locate the slot at the bottom section of the handle arm
Once slot has been pushed to the key-way, pull handle back to lock damper plate in open position. Figure 19.

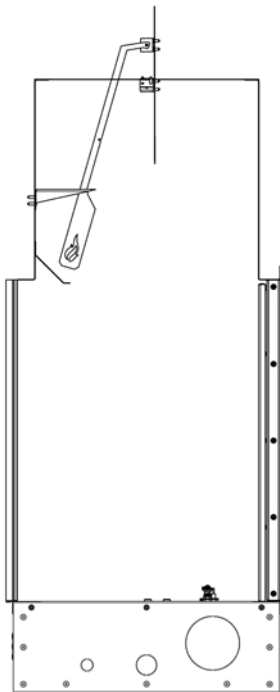


Figure 19 - Open Damper Plate

To close damper blade when is open position:
Locate handle in the center front portion in the fireplace dome.
Push handle towards back of fireplace and pull down.
Locate the slot in the center section of the handle arm.
Once slot has been pulled down to the key-way, push handle towards back of fireplace to lock handle in damper plate closed position. Figure 20.

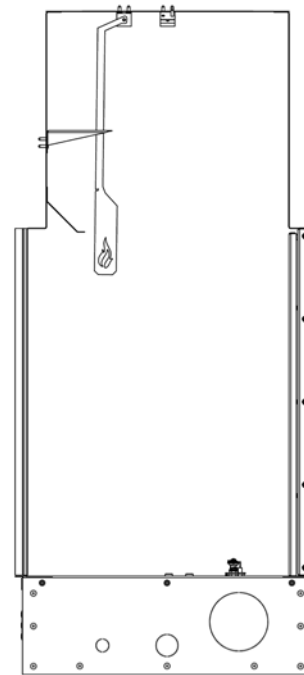


Figure 20 - Closed Damper Plate

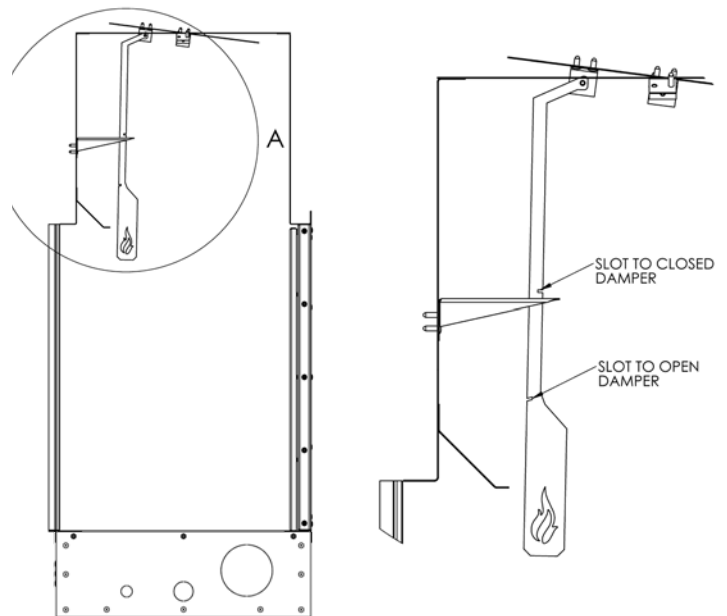


Figure 21 - Handle Position

VENTING INSTALLATION

ALL Summit Linear Fireplaces are designed and equipped to use 12" B-Type venting systems. B-Venting systems can be used with high wind or standard termination caps and can be purchased through any 3rd party venting manufacturer. The 12" B-Type venting **MUST** be connected to the appliance and vented to the outside of the building. Summit Linear Fireplaces defines the installation standards of this product as illustrated (see Figure 23). Standing code requirement concerning vent installations may vary within your state, province or local codes jurisdiction. Therefore, it is recommended that you check with your local building codes for specific requirements or in absence of local codes, follow Section 7.0 of the current National Fuel Gas Code ANSI Z223.1/NFPA 54. This gas appliance must be vented to the outdoors only and may not be terminated into an attic space or into a chimney flue servicing a solid-fuel burning appliance. Vent terminations must be located in accordance with height and proximity rules of NFPA No. 54. These rules apply to vents at 12" diameter or less and require a minimum height in accordance with the roof pitch and a minimum of 8 ft. distance from a vertical wall or obstruction (see Figure 22).

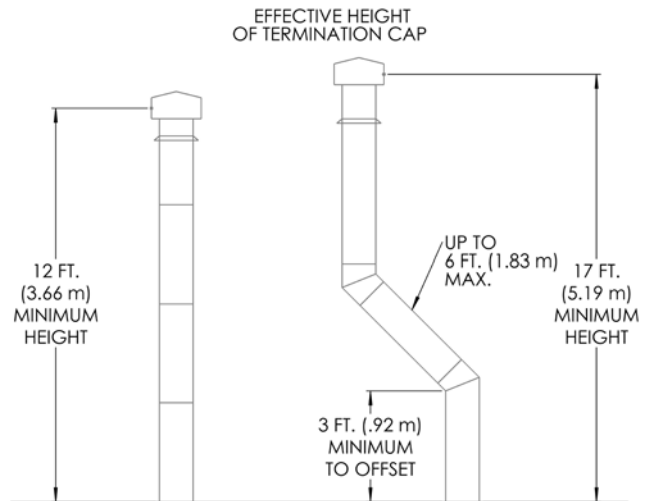


Figure 23 - MINIMUM Vertical Terminations

⚠ WARNING This appliance must be properly connected to a system and must not be connected to a chimney flue servicing a separate solid fuel burning appliance.

⚠ WARNING If Minimum Vent Run can not be met a power vent **MUST** be added. See supplemental Power Vent manual for additional details. For Horizontal Terminations Power-vent **MUST** be used.

Roof Pitch	H (Min.) Feet	Meter
Flat to 6/12	1.0	0.30
6/12 to 7/12	1.25	0.38
Over 7/12 to 8/12	1.5	0.46
Over 8/12 to 9/12	2.0	0.61
Over 9/12 to 10/12	2.5	0.76
Over 10/12 to 11/12	3.25	.99
Over 11/12 to 12/12	4.0	1.22
Over 12/12 to 14/12	5.0	1.52
Over 14/12 to 16/12	6.0	1.83
Over 16/12 to 18/12	7.0	2.13
Over 18/12 to 20/12	7.5	2.27
Over 20/12 to 21/12	8.0	2.44

Natural Draft Chimney Specifications	
Specification	Requirement
Minimum Vertical Run	12'
Maximum Vertical Run	50'
Maximum 45 Deg. Elbows	1 set (Off-set and Return)

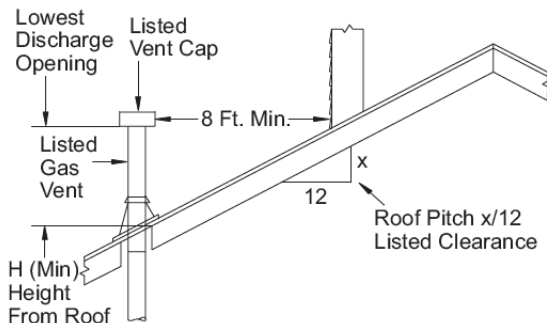


Figure 22 - Typical Vertical Terminations

INSTALLING OUTSIDE AIR KIT

ALL Summit Linear Fireplaces are supplied with knockouts and collars to connect to outside combustion air with 4" collars. Fireplaces are **NOT** supplied with the 4" flex duct. It is recommended that the outside air system be used whenever possible as allowed by municipalities and building codes. Connect 4" Class-1 flex duct or metal vent to the duct collar on the side or back of the firebox, run duct to the fresh air source and terminate using duct termination cap (**NOT** Supplied). Ensure that 1/8" screen mesh must cover the air intake.

ALL Summit Fireplace Models (with the use of the Outside Air Kit) can be installed in a bedroom (in the United States) which has a total volume of unconfined space appropriate to the particular installation. Refer to the National Fuel Gas Code ANSI Z223.1/NFPA 54 - (current edition), the Uniform Mechanical Code - (current edition), and Local Building Officials for the options allowed in obtaining an effective bedroom volume of unconfined space.

INSTALLING CHIMNEY/VENT SYSTEM CONTINUED

The 10' Rule of Thumb is a guide for calculating chimney height that works under most conditions. However, many factors can cause the need for additional chimney height beyond what 10' Rule of Thumb would indicate. Topographical factors can cause high-pressure zones, which prevent a chimney from drawing. This can occur if the house is located in a low-lying area, in a valley or near the base of a cliff or hillside. The same situation can occur if the chimney is near other steep rooflines or tall buildings. Areas with high winds also frequently require higher than normal chimneys. Certain styles of architecture tend to interfere with a fireplace's draw. If the room in which the fireplace is located has a very high ceiling, smoke may enter the room unless the chimney is terminated at a level higher than that of the ceiling, even if the 10' Rule of Thumb indicates a shorter chimney height.

⚠ WARNING This gas appliance must not be connected to a chimney flue serving a separate solid-fuel burning appliance.
Note: A draft hood is installed and is in the same atmospheric pressure zone as the combustion air inlet to the appliance and is located so that the relief opening is accessible for checking vent operation.

OUTDOOR INSTALLATION REQUIREMENTS

Bedrock Traditional from Open luxury Fireplaces have been tested and approved for installation outdoors under a patio cover and away from direct water contact or direct sun light. Open luxury Fireplaces standard warranty applies if installed per instructions. All electrical wiring shall be to local building codes. Consult professional installers before installation. Approved installations are as noted below.

FRONT PROTECTION:

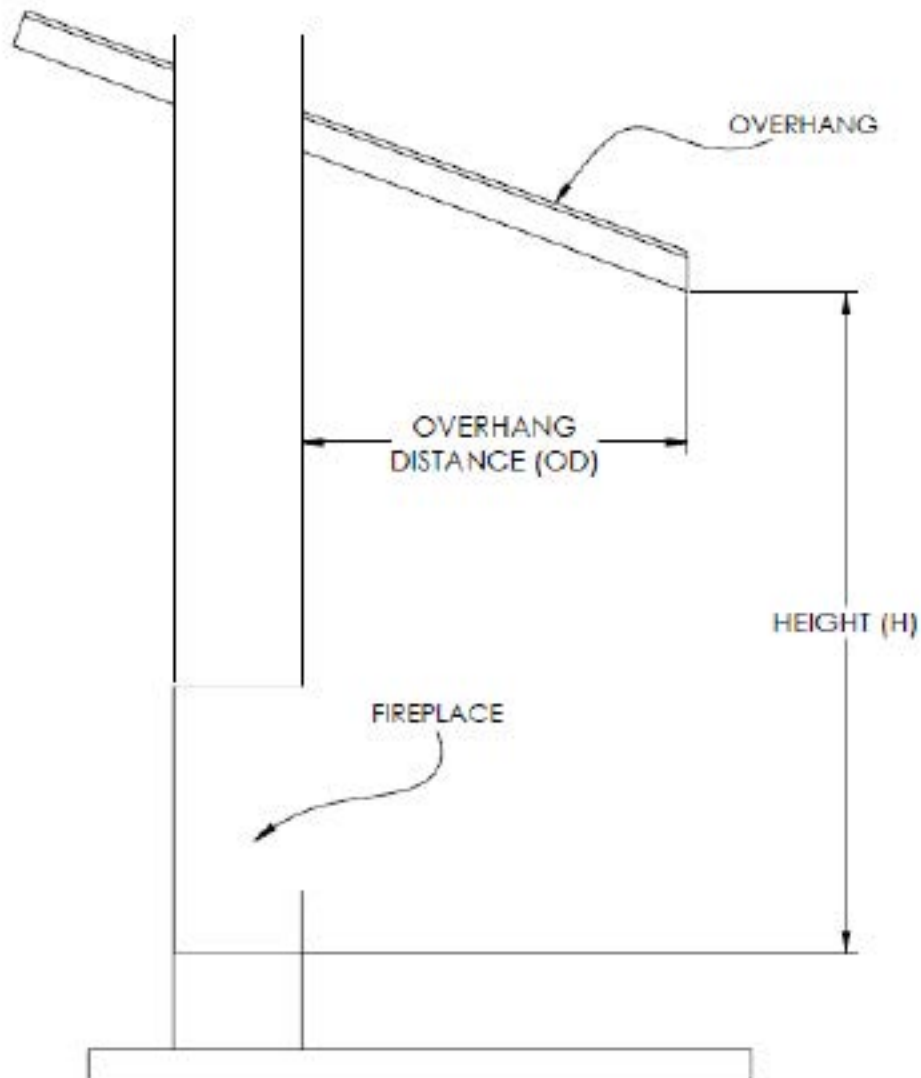
Patio roof overhang must be 50% (or more) of the height of the patio roof from bottom of fireplace.

If: $H=6'$.

Then: $OD=3'$ minimum ($6' \times 50\%=3'$).

Note 1: Base of fireplace must be 2" (minimum) above floor.

Note 2: H taken from bottom of fireplace.



OUTDOOR INSTALLATION REQUIREMENTS

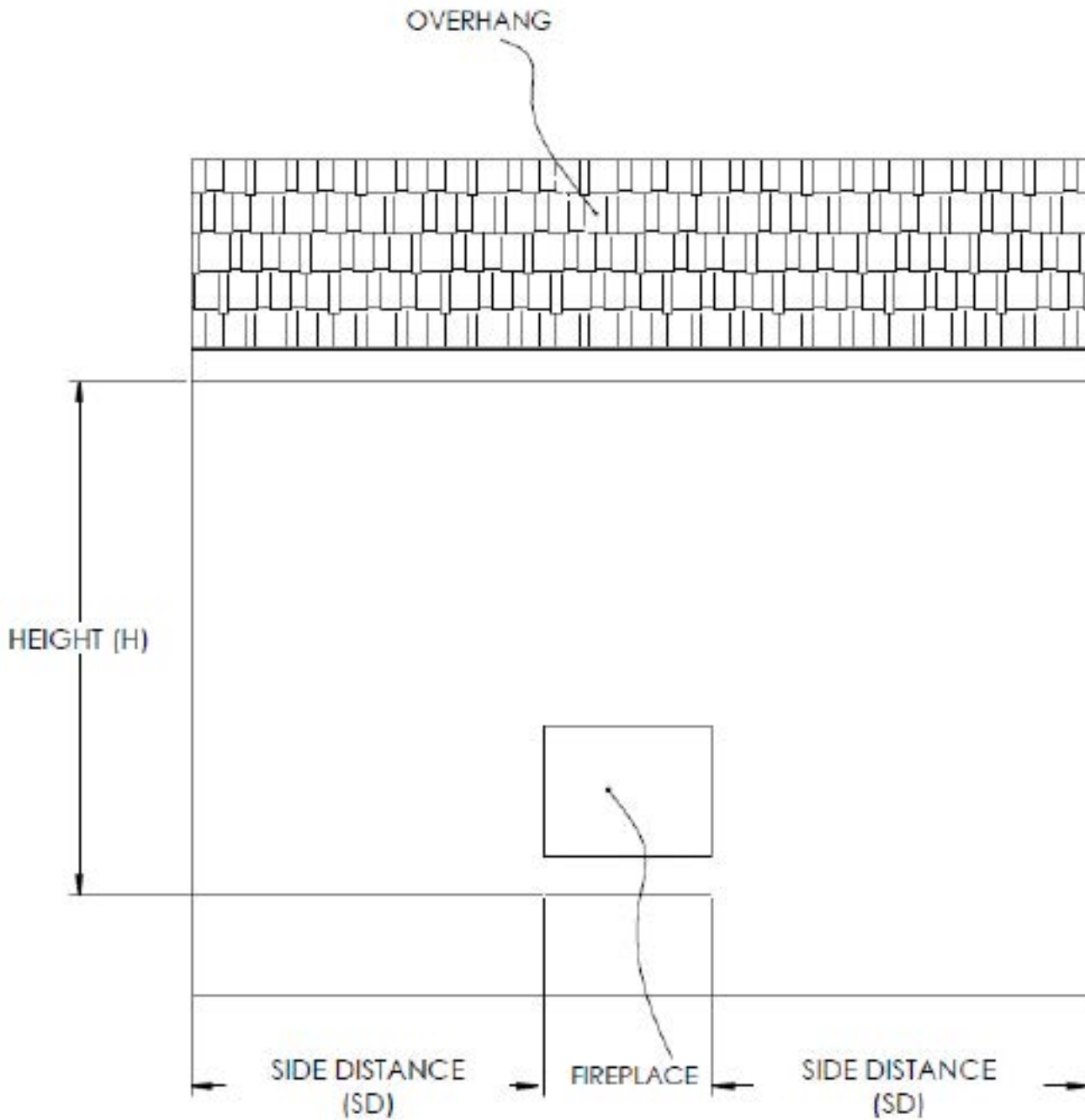
SIDE PROTECTION:

Side distance (SD) must be 50% (or more) of the height (H).

If: $H=6'$.

Then: $SD=3'$ minimum ($6' \times 50\%=3'$).

Note: (H) taken from bottom of fireplace.



INSTALLATION

CHECK GAS TYPE

Use proper gas type for the fireplace unit you are installing. If you have conflicting gas types, do not install fireplace. See retailer where you purchased the fireplace for proper unit according to your gas type.

INSTALLING GAS PIPING TO FIREPLACE LOCATION

⚠ WARNING A qualified service person must connect fireplace to gas supply. Follow all local codes.

⚠ CAUTION For propane/LP units, never connect fireplace directly to the propane/LP supply. This fireplace requires an external regulator (not supplied). Install the external regulator between the fireplace and propane/LP supply.

⚠ WARNING Before you proceed, make sure your gas supply is OFF.

⚠ WARNING For natural gas, never connect fireplace to private (non-utility) gas wells. This gas is commonly known as wellhead gas.

Installation Items Needed

Before installing fireplace, make sure you have the items listed below.

- External regulator (supplied by installer)
- Piping (check local codes)
- Sealant (resistant to propane/LP gas)
- Equipment shutoff valve *
- Test gauge connection *
- Sediment trap
- Tee joint
- Pipe wrench
- Approved flexible gas line with gas connector (if allowed by local codes)

* A manual shutoff valve has been included with log/burner module models. You may consider installing an extra gas shut-off valve outside appliance's enclosure (check with local codes) where it can be accessed more conveniently with a key through a wall as shown in Figure 24.

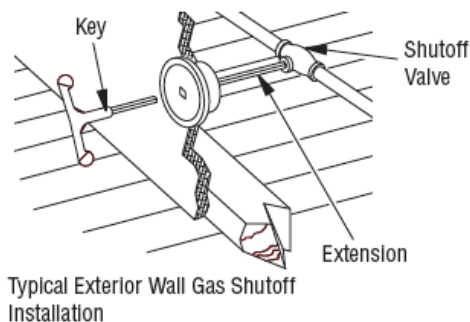


Figure 24 - Manual Shutoff Valve Installation

For propane/LP connection only, the installer must supply an external regulator. The external regulator will reduce incoming gas pressure. You must reduce incoming gas pressure to between 11" and 14" of W.C. pressure. If you do not reduce incoming gas pressure, fireplace regulator damage could occur. Install external regulator with the vent pointing down as shown in Figure 25. Pointing the vent down protects it from freezing rain or sleet.

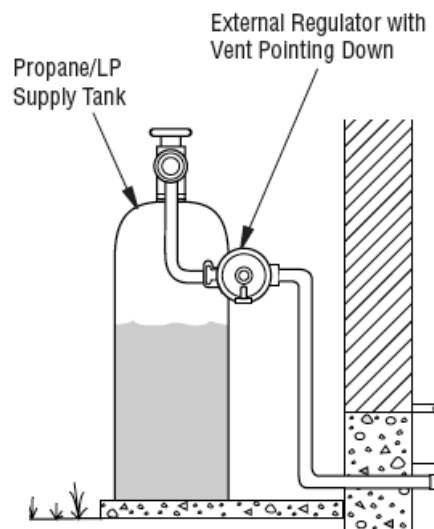


Figure 25 - External Regulator with Vent Pointing Down (Propane/LP Only)

Check your building codes for any special requirements for locating equipment shut-off valve to fireplace.

Installation must include an equipment shut-off valve, union and plugged 1/8" NPT tap. Locate NPT tap within reach for test gauge hook up. NPT tap must be upstream from fireplace.

IMPORTANT: Install main gas valve (equipment shut-off valve) in an accessible location. The main gas valve is for turning on or shutting off the gas to the appliance.

⚠ CAUTION Use only new, black iron or steel pipe. Internally-tinned copper tubing may be used in certain areas. Check your local codes. Use pipe of 1/2" diameter or greater to allow proper gas volume to fireplace. If pipe is too small, undue loss of volume will occur.

We recommend that you install a sediment trap/drip leg in supply line as shown in Figure 26. Locate sediment trap/drip leg where it is within reach for cleaning. Install in piping system between fuel supply and fireplace. Locate sediment trap/drip leg where trapped matter is not likely to freeze. A sediment trap traps moisture and contaminants. This keeps them from going into fireplace gas controls. If sediment trap/drip leg is not installed or is installed wrong, fireplace may not run properly.

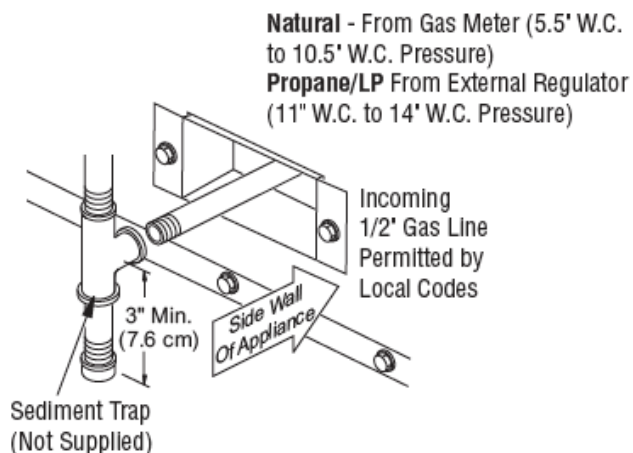


Figure 26 - Sediment Trap

INSTALLATION

Install incoming 1/2" gas line (as permitted by local codes) through the gas line opening on left or right side of the fireplace chassis (Figure 27). The pipe should extend to around the middle of the fireplace in order to be long enough to connect to the flexible gas line with shut off valve that is supplied with the Bedrock Series Burner. Prepare incoming gas line with Teflon tape or pipe joint compound.

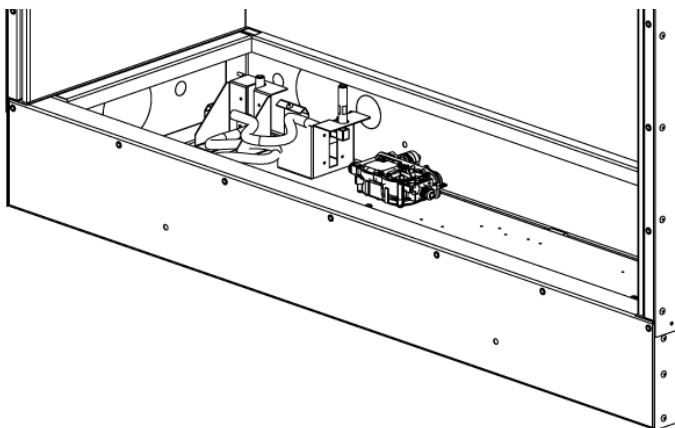


Figure 27 - Installing Gas Line

CONNECTING FIREPLACE TO GAS SUPPLY

⚠ WARNING Gas line hookup should be done by your gas supplier or a qualified service person.

⚠ CAUTION Do not kink flexible gas line.

⚠ CAUTION Compounds used on threaded joints of gas piping shall be resistant to the action of Liquefied Petroleum (LP or propane) and should be applied lightly to ensure excess sealant does not enter the gas line.

⚠ WARNING All gas piping and connections must be tested for leaks after the installation is completed. After ensuring that gas valve is on, apply a commercial leak detection solution to all connections and joints. If bubbles appear, leaks can be detected and corrected. Do not use an open flame for leak testing and do not operate any appliance if a leak is detected.

Complete your gas installation by connecting incoming gas line with flexible gas line attached to the Bedrock Series Burner. Secure tightly with wrench but **DO NOT OVER TIGHTEN**.

Apply pipe joint sealant lightly to male NPT threads. This will prevent excess sealant from going into pipe. Excess sealant in pipe could result in clogged fireplace valves. Sealant should not be used on flare fitting if present.

Installation Items Needed

- 5/16" hex socket wrench or nut-driver
- Sealant (resistant to propane/LP gas, not provided)

1. Route gas flex line supplied with fireplace to gas pipe coming into the fireplace (Figure 28).
2. Check all gas connections for leaks. See Checking Gas Connections.

CONNECTING THE GAS LINE

Consult local building codes before gas line installation. This gas fireplace is designed to accept a 1/2" male flare fitting attached to a 1/2" supply line. Have the gas line installed by a qualified service person in accordance with all building codes. Install gas line to fireplace on the right side attaching gas line to the gas flex line inside the control box accessed by opening the control box door.

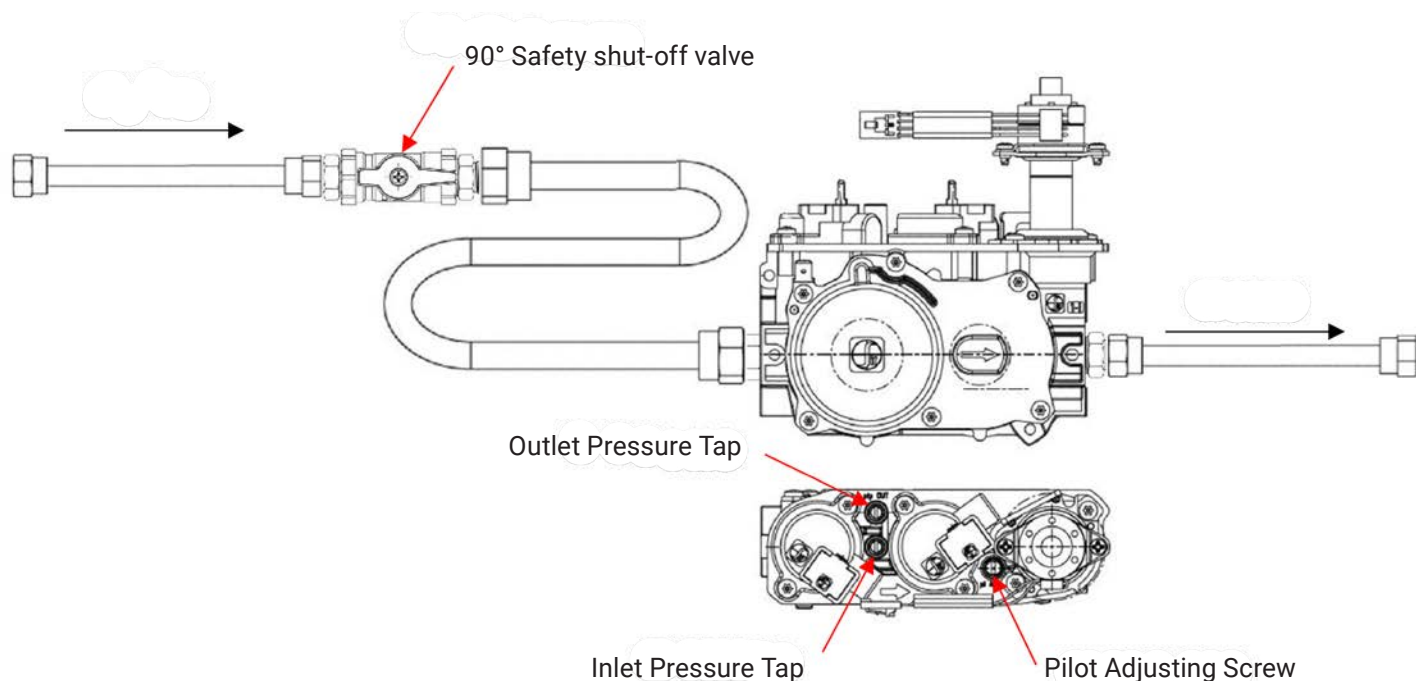


Figure 28 - Connecting Incoming Gas Line to Flex Gas Line

INSTALLATION

CHECKING GAS CONNECTIONS

WARNING Test all gas piping and connections, internal and external to unit, for leaks after installing or servicing. Correct all leaks at once.

WARNING Never use an open flame to check for a leak. Apply noncorrosive leak detection fluid to all joints. Bubbles forming show a leak. Correct all leaks at once.

PRESSURE TESTING GAS SUPPLY PIPING SYSTEM

Test Pressures In Excess Of 1/2 PSIG (3.5 kPa)

1. Disconnect fireplace and its individual equipment shut-off valve from gas supply piping system. Pressures in excess of 1/2 PSIG (3.5 kPa) will damage fireplace gas regulator.
2. Cap off open end of gas pipe where equipment shut-off valve was connected.
3. Pressurize supply piping system by either opening propane/LP supply tank valve for propane/LP gas fireplace or opening main gas valve located on or near gas meter for natural gas fireplace or using compressed air.
4. Check all joints of gas supply piping system. Apply noncorrosive leak detection fluid to all joints. Bubbles forming show a leak. Correct all leaks at once.
5. Reconnect fireplace and equipment shut-off valve to gas supply. Check reconnected fittings for leaks.

Test Pressures Equal To or Less Than 1/2 PSIG (3.5 kPa)

1. Close equipment shut-off valve (see Figure 29).
2. Pressurize supply piping system by either opening propane/LP supply tank valve for propane/LP gas fireplace or opening main gas valve located on or near gas meter for natural gas fireplace or using compressed air.

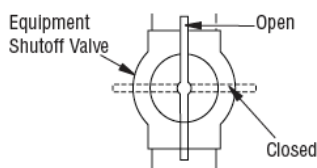


Figure 29 - Equipment Shut-off Valve

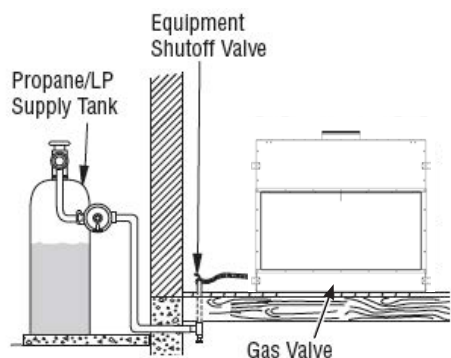


Figure 30 - Checking Gas Joints for Propane/LP Gas Fireplace (Fireplace picture may vary from actual)

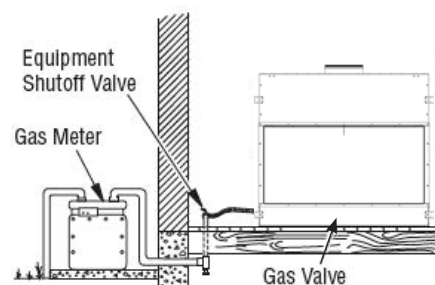


Figure 31 - Checking Gas Joints for Natural Gas Fireplace (Fireplace picture may vary from actual)

3. Check all joints from propane/LP supply tank or gas meter to equipment shut-off valve (see Figure 30 or Figure 31). Apply noncorrosive leak detection fluid to all joints. Bubbles forming show a leak.
4. Correct all leaks at once.

PRESSURE TESTING FIREPLACE GAS CONNECTIONS

1. Open equipment shut-off valve (see Figure 29).
2. Open propane/LP supply tank valve for propane/LP fireplace or main gas valve located on or near gas meter for natural gas fireplace.
3. Make sure control knob of fireplace is in the OFF position.
4. Check all joints from equipment shut-off valve to gas valve (see Figure 30 or Figure 31). Apply noncorrosive leak detection fluid to all joints. Bubbles forming show a leak. Correct all leaks at once.
5. Light fireplace (see Operation, Page 49). Check all other internal joints for leaks.
6. Turn off fireplace (see To Turn Off Gas to Appliance, Page 49).

The appliance and its individual shut-off valve must be disconnected from the gas supply piping system during any pressure testing of that system at test pressures in excess of 1/2 psig (3.5 kPa).

[The appliance and its appliance main gas valve must be disconnected from the gas supply piping system during any pressure testing of that system at test pressure in excess of 1/2 psi (3.5 kPa).]

The appliance must be isolated from the gas supply piping system by closing its individual manual shut-off valve during any pressure testing of the gas supply piping system at test pressures equal to or less than 1/2 PSIG (3.5 kPa).

For the purpose of input adjustment two pressure taps (for IN and OUT pressures) are provided on the gas control valve for test gauge connections to the appliance.

FIREPLACE VENTING INSPECTION

CHECKING FOR PROPER VENTING

After completing and checking electrical, gas and vent connections, follow the lighting instructions and allow the main burner to run for approximately 5 minutes. Hold a lighted match near the top edge of fireplace opening and play it along entire length of opening (see Figure 32). Proper venting should tend to draw the flame or smoke into the appliance. Improper venting or escaping of spillage of burned gas, is indicated when the match flickers or goes out. If the appliance is found to be improperly venting, shut it off and notify your installer or a qualified service agency to inspect the venting system.

NOTICE This appliance is equipped with a vent safety shut off switch which will shut down the appliance in the case of a venting problem. Do not bypass the vent safety switch. If the appliance should shut down, contact a qualified installer, service agency or your gas supplier to have the vent inspected before operating.

FINISHING FIREPLACE

Combustible materials, such as wallboard, gypsum board, sheet rock, drywall, plywood, etc. may make direct contact with the sides and top around the fireplace face. It is important that combustible materials do not overlap face itself. When overlapping with a noncombustible facing material, use only noncombustible mortar or adhesive.

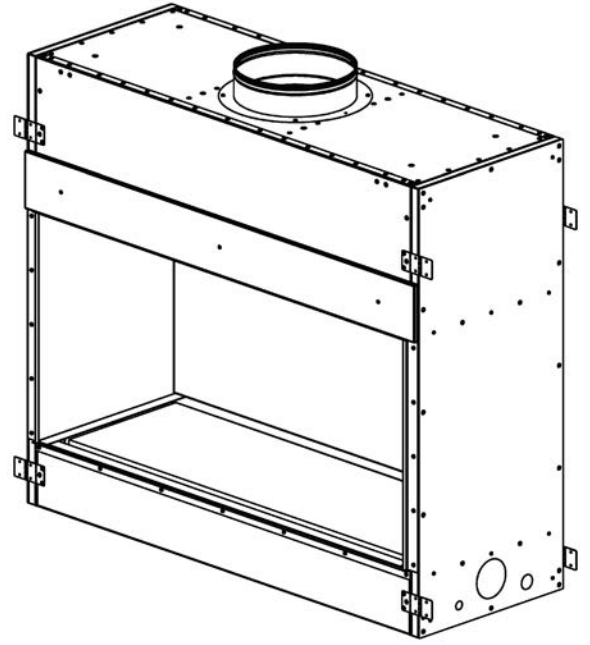


Figure 32 - Checking for Spillage

INSTALLATION STEPS

1. Set the fireplace at the required position.
2. Install the flue collar on the top of the fireplace (as shown next).



3. Connect the **4 × ¼-20 all-threaded rods** (except front configuration) to the top of the fireplace and secure them to the roof/framing.
4. Remove the desired walls and install the corner kits.
 - a. Unscrew the screws and remove the wall (refer to **Summit Linear-Part List Section**, page 8).
 - b. Install the included horizontal drywall stops and non-combustible board provided (refer to **Summit Fireplace Configurations Section**, page 17).
5. Frame the fireplace (refer to **Framing Section**, pages 18 - 22).
6. Once fireplace is fully framed, remove the dust cover and the side drywall stops.
7. Unscrew the fly-cut deck and remove it from the front of the fireplace. Place in a safe area to prevent damage.
8. Unscrew the burner and remove it out of the fireplace.

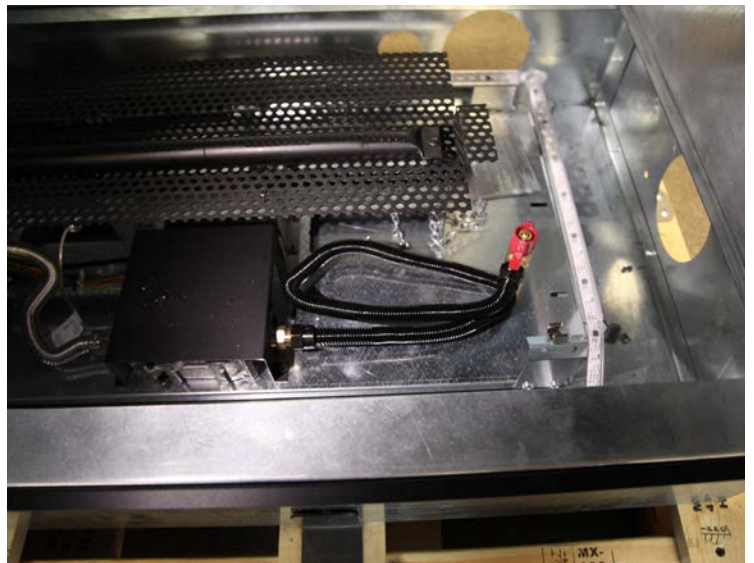


9. Locate the outlet in the back left corner of the fireplace. Using the appropriate knockout, bring your power into the fireplace. Make sure to secure your incoming power cord with the provided conduit clamps and connect the wire to the outlet using proper electrical connections and fittings (as shown next).

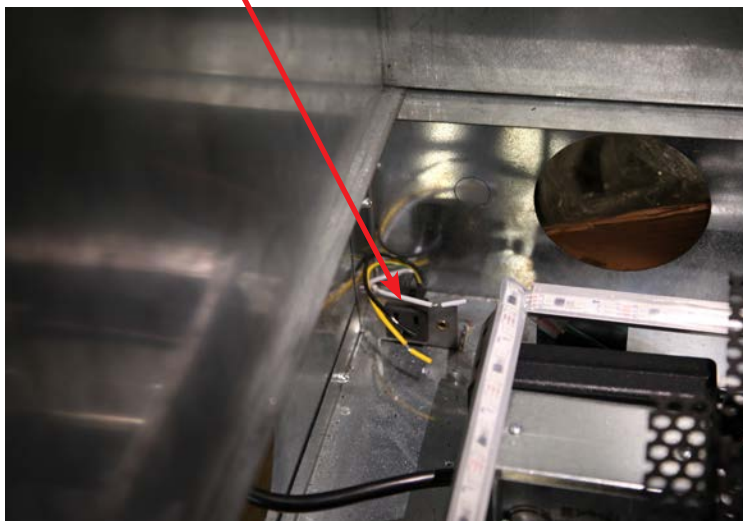
INSTALLATION STEPS



10. Connect your gas line to the gas control valve. Ensure that you use our inline safety shut-off ball valve, and that an upstream key valve is also installed. Make sure to follow proper plumbing codes for running the line and pressure testing the system.



Outlet



11. If needed, install the 4" outside air take-off collar to the side or back of the fireplace. Refer to the outside air kit section for additional detail.



Conduit clamp



12. Install batteries into the receiver and ensure the remote is synced to the receiver. Refer to the remote operation section for greater detail.

13. Reinstall the burner and the fly-cut deck back into the fireplace that was removed in #4 and #3.

INSTALLATION STEPS



14. Reinstall the side drywall stops and the dust cover that was removed in #1. Side drywall stops can be used for corner and bay configuration.

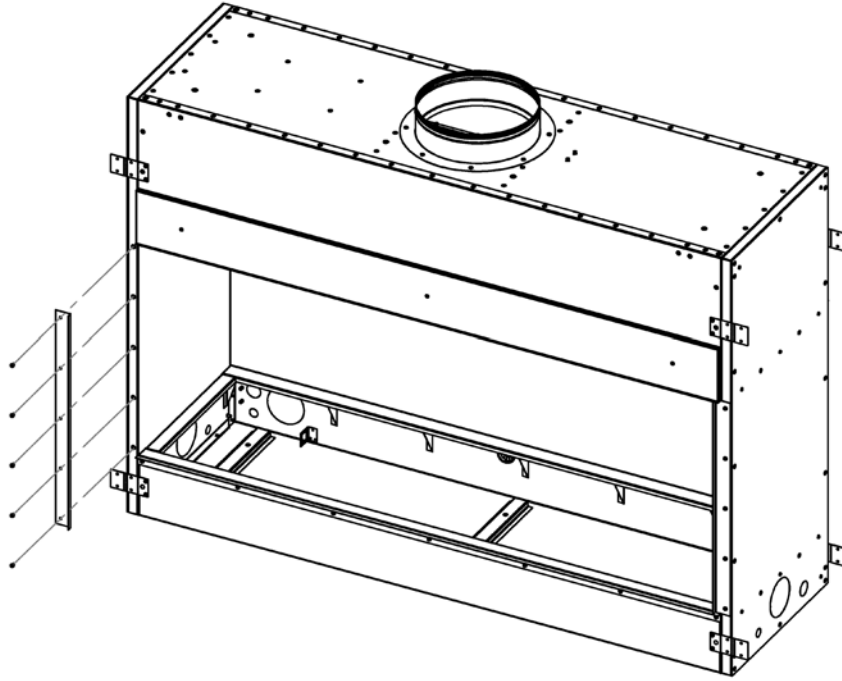
⚠ WARNING Prior to removing ANY sides, ensure the smoke dome is properly secured to the ceiling supports with (1) Nutsert 48" & 60" per side, minimum (2) Nutsert 72" - 96" per side.

Fireplace dome is equipped with 1/4" Nutserts already installed to accept 1/4IN - 20 TPI Threaded Rod. THIS THREADED ROD IS TO BE SECURED TO THE CEILING ROOM JOIST TO SUPPORT THE WEIGHT ON THE FIREPLACE DOME AND VENT PIPE WHEN THE SIDE WALLS ARE REMOVED.

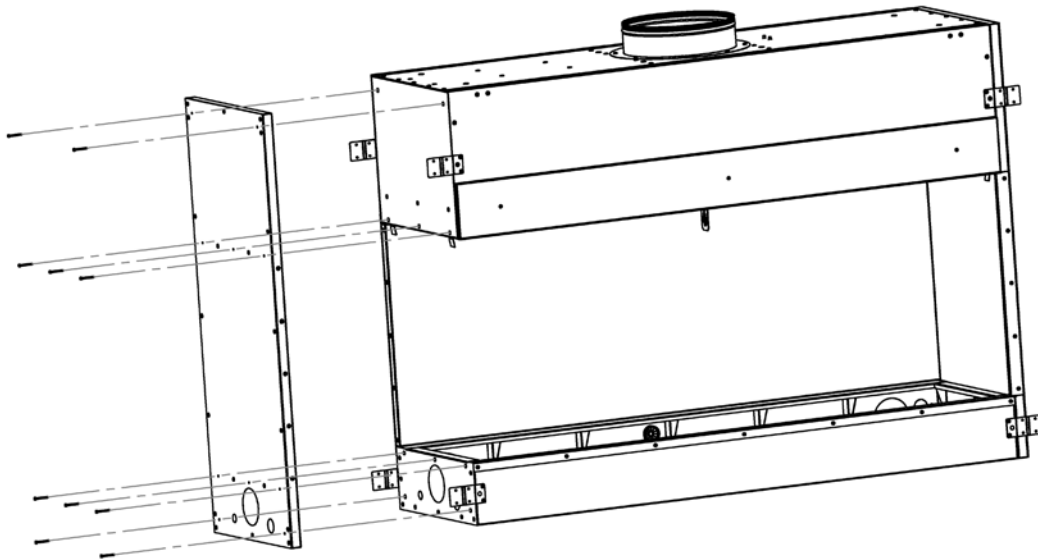
NOTE: WHEN INSTALLING A CORNER 72"> FIREPLACE USE A MINIMUM OF (2) NUTSERTS IN THE DOME TO BE SECURED TO THE CEILING ROOM JOIST.

SUMMIT CONFIGURATION INSTALLATION STEPS

SUMMIT LEFT CONFIGURATION



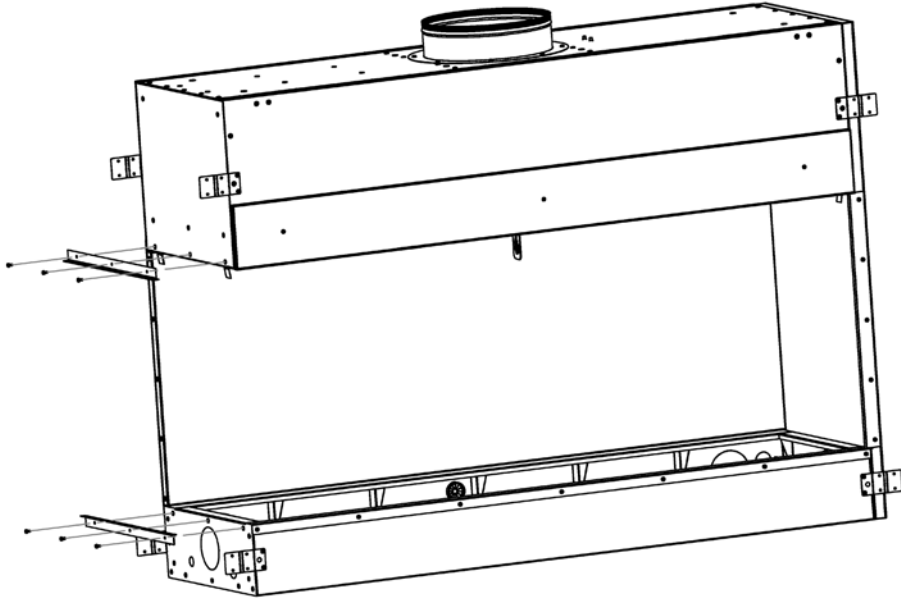
Step 1. Removing the front drywall stop.



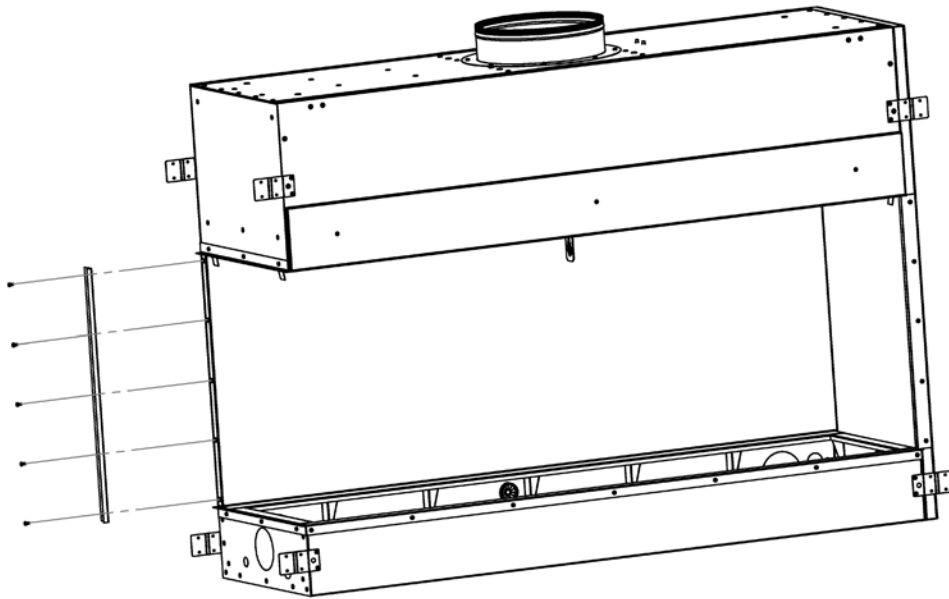
Step 2. Removing left side panel.

SUMMIT CONFIGURATION INSTALLATION STEPS

SUMMIT LEFT CONFIGURATION



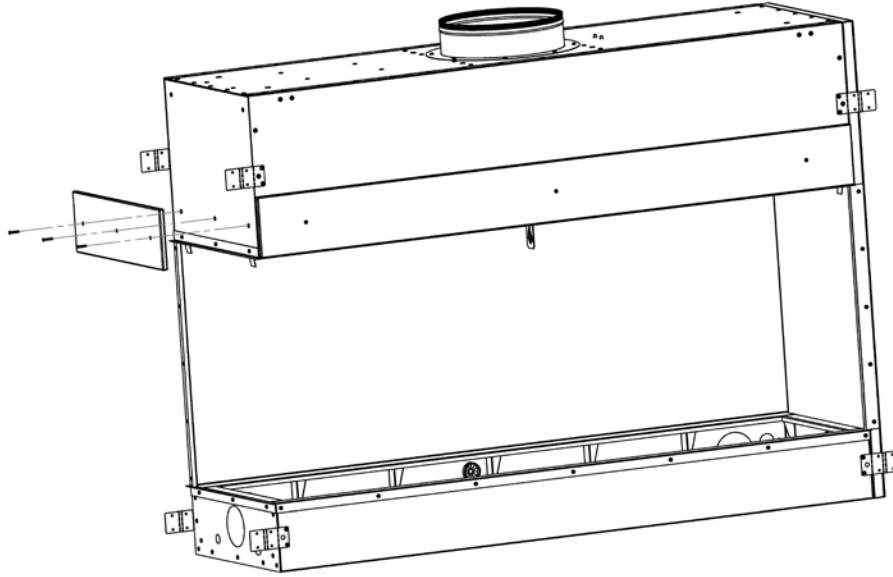
Step 3. Installing left horizontal drywall stops.



Step 4. Installing left vertical drywall stop.

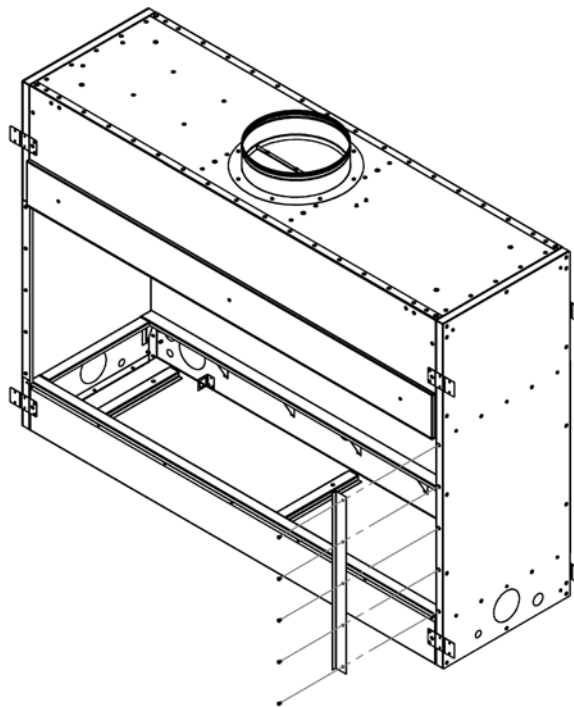
SUMMIT CONFIGURATION INSTALLATION STEPS

SUMMIT LEFT CONFIGURATION



Step 5. Installing left hardy board.

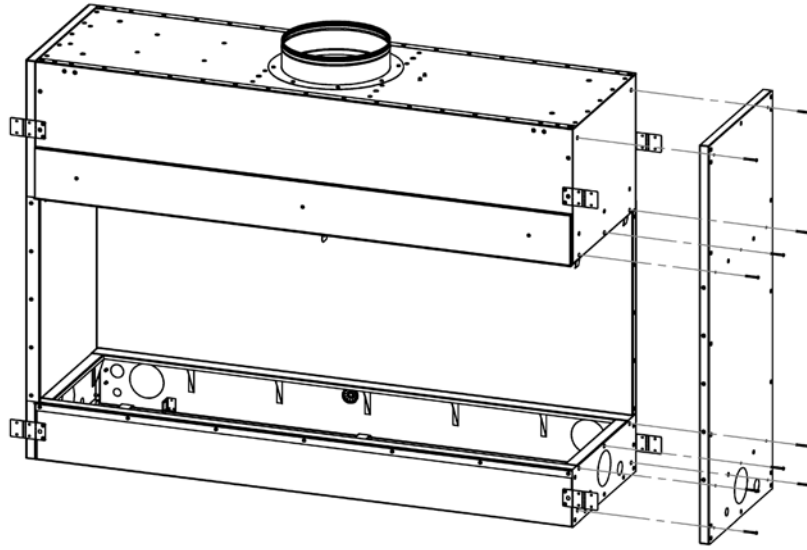
SUMMIT RIGHT CONFIGURATION



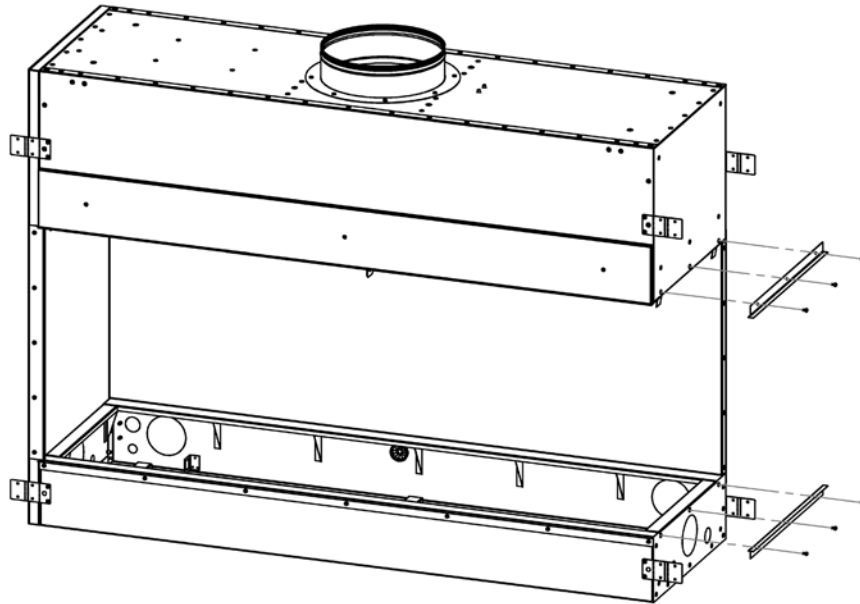
Step 1. Removing the front drywall stop.

SUMMIT CONFIGURATION INSTALLATION STEPS

SUMMIT RIGHT CONFIGURATION



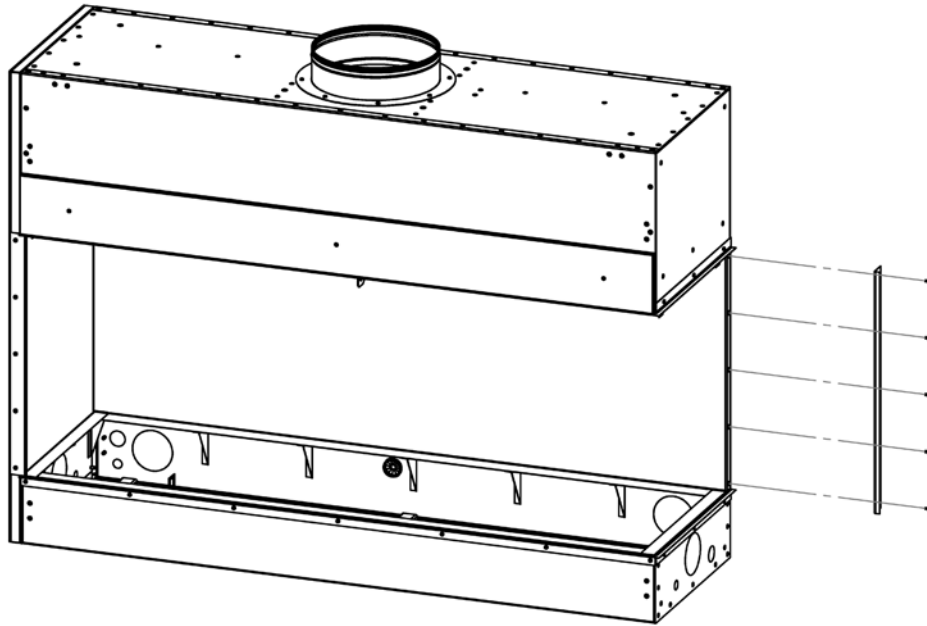
Step 2. Removing right side panel.



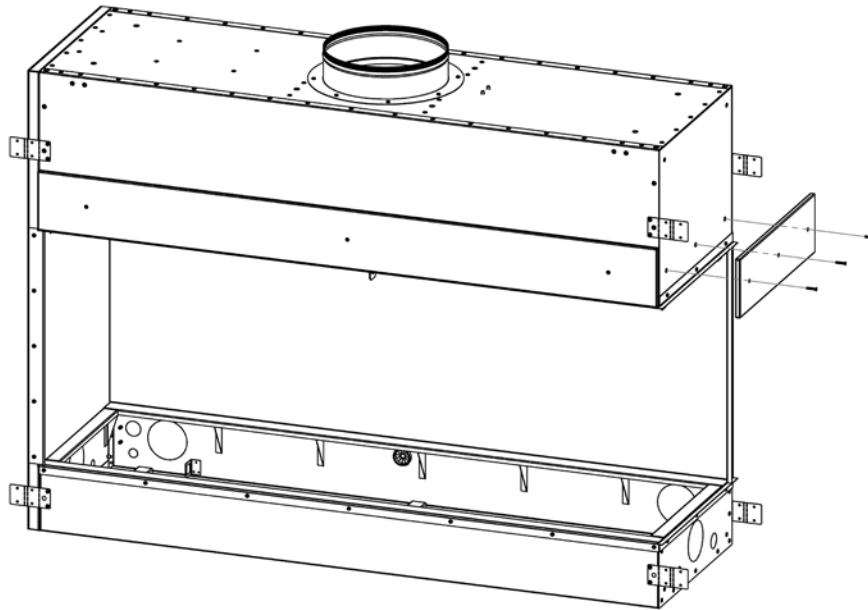
Step 3. Installing right horizontal drywall stops.

SUMMIT CONFIGURATION INSTALLATION STEPS

SUMMIT RIGHT CONFIGURATION



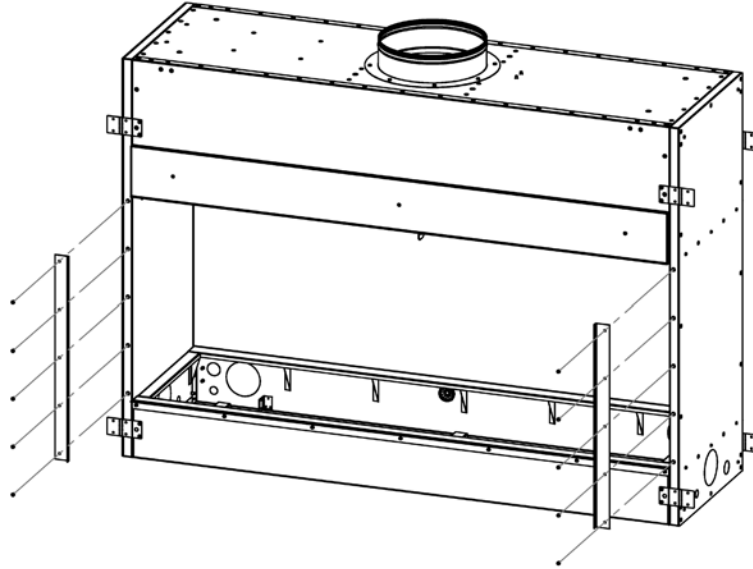
Step 4. Installing right vertical drywall stop.



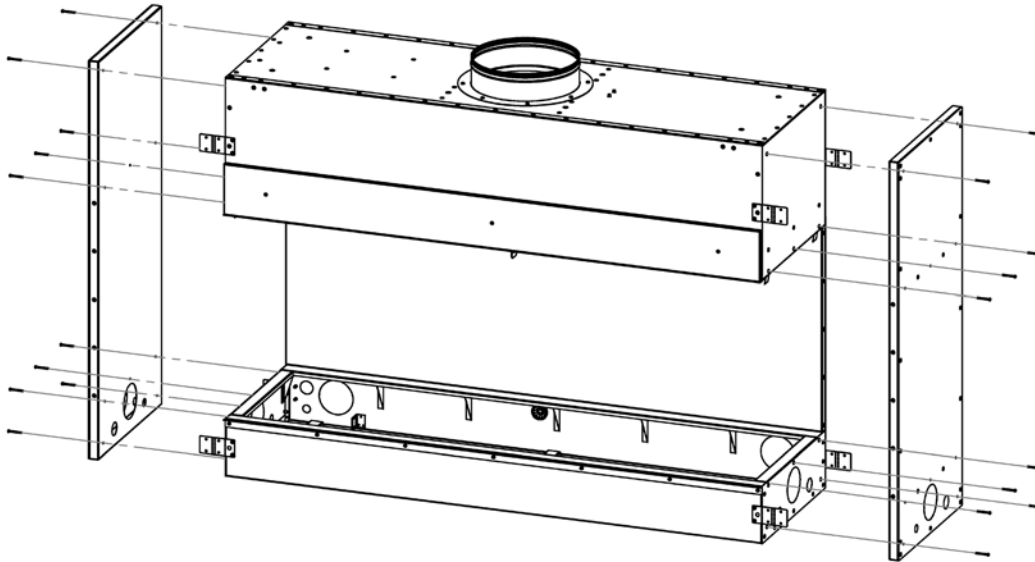
Step 5. Installing right hardy board.

SUMMIT CONFIGURATION INSTALLATION STEPS

SUMMIT BAY CONFIGURATION



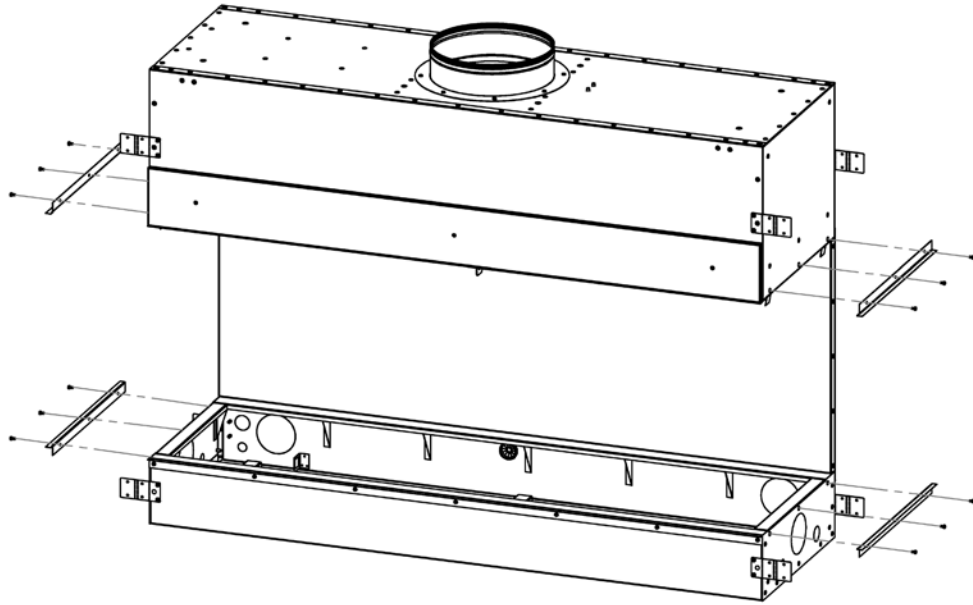
Step 1. Removing front drywall stops.



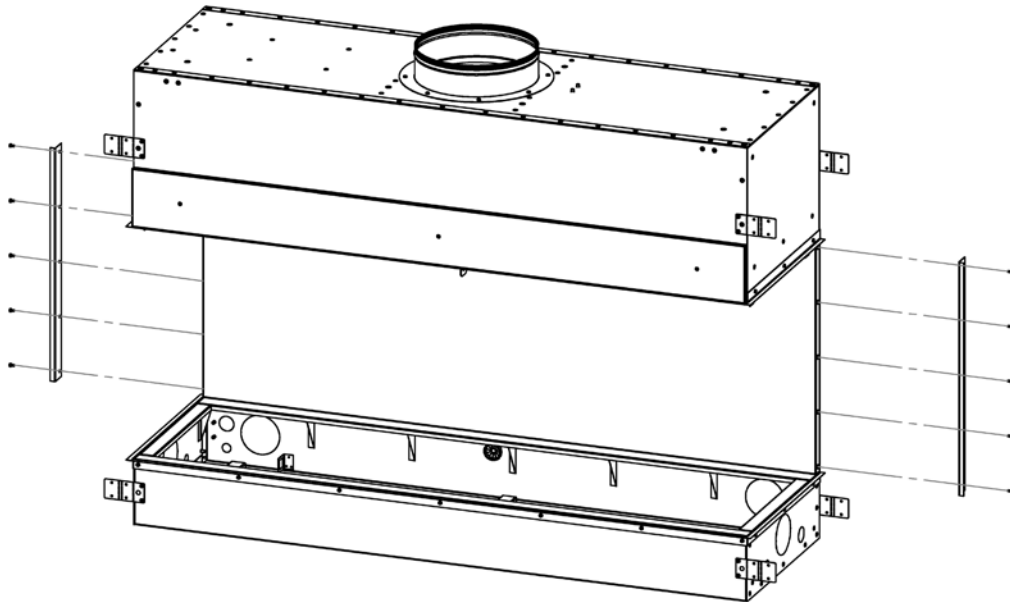
Step 2. Removing left and right side panels.

SUMMIT CONFIGURATION INSTALLATION STEPS

SUMMIT BAY CONFIGURATION



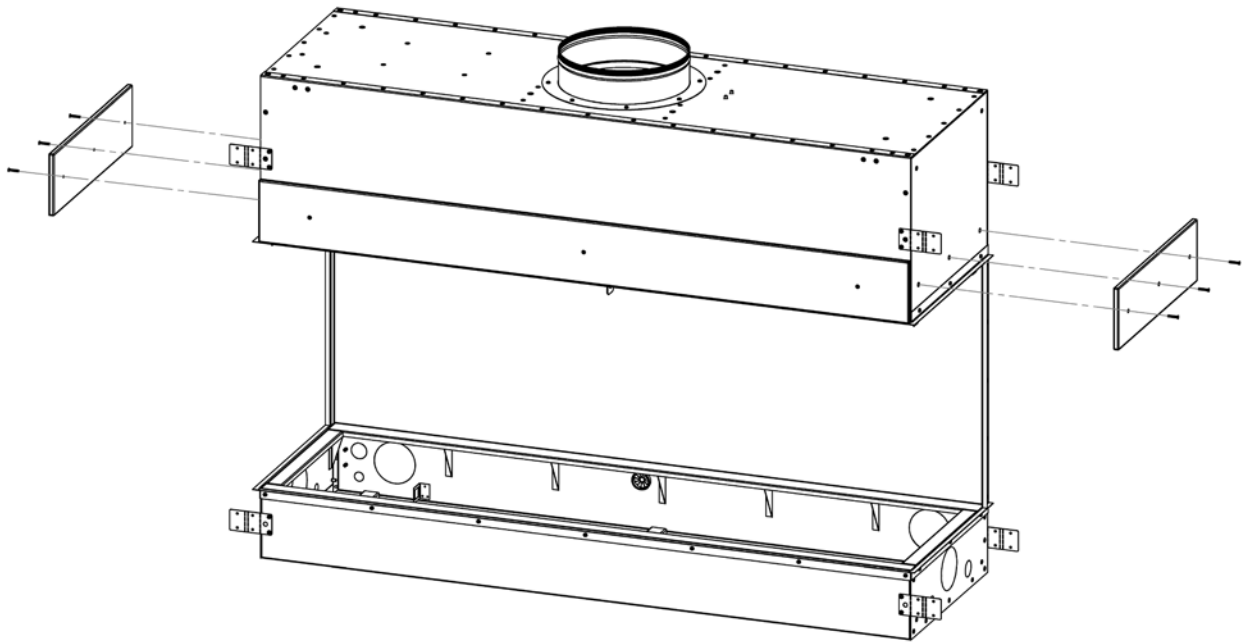
Step 3. Installing bay horizontal drywall stops.



Step 4. Installing bay vertical drywall stops.

SUMMIT CONFIGURATION INSTALLATION STEPS

SUMMIT BAY CONFIGURATION



Step 5. Installing bay hardy boards.

SUMMIT CONFIGURATION INSTALLATION STEPS

AFTER COMPLETING ALL THE FRAMING WORK AND FINISHING:

1. Remove the dust cover.
2. Remove all red caps from the burner tube's before log installation.



Summit size	LBS Glass Media Used
48"	20 lbs.
60"	25 lbs.
72"	30 lbs.
84"	35 lbs.
96"	40 lbs.

3. Install internal panels. Refer to pages 39 - 40.



4. Install Media

a. Bedrock Contemporary – Put down your glass media 5lbs. per foot and ensure there is only (1) layer of glass over the top of the fly-cut decking.

b. Bedrock Traditional – Install Driftwood Glow Fire logs as outlined in the log placement section. Once logs are installed place ½" reflective glass around the logs and the rest of the fly-cut decking.

PANEL INSTALLATION

REAR PANEL INSTALLATION:

1. The back panel should be installed by with these steps:
First insert the bottom (see figure 36) (long edge of panel without magnets) of the back panel by aligning the left and right side to freely slide into the back of the unit. The bottom edge will sit on the back edge of the trim. Then pivot the panel to push the top (long edge of panel with magnets) back to the back wall (see figure 37). You will feel the magnets stick to the back wall.

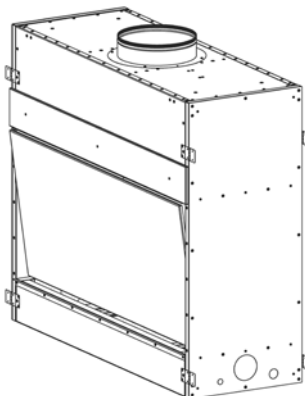


Figure 36 - Rear Panel Installation

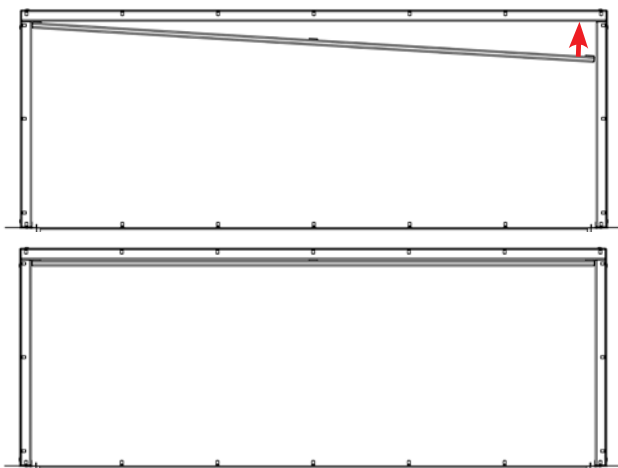


Figure 37 - Rear Panel - Top View

SIDE PANELS INSTALLATION:

2. Insert the side panel, whether right or left, through the corresponding side wall, as close to the internal walls of the fireplace as possible (see figure 38). Rotate it slightly so that the front edge will sit on the viewing area. Then pivot the panel to push the short edge (close back wall) to the side wall (see figure 39). Repeat the same steps for the remaining side.

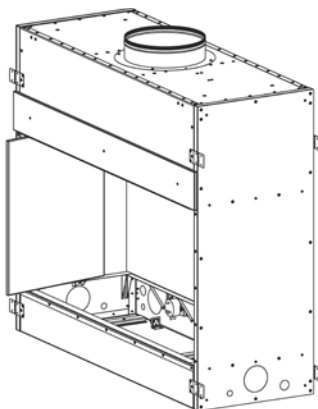


Figure 38 - Side Panel Installation

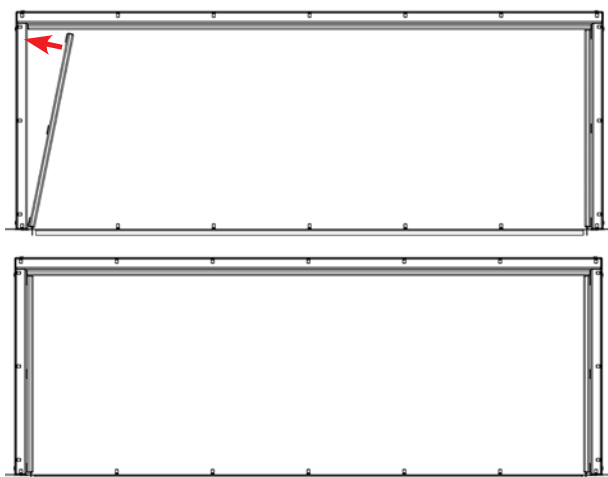


Figure 39 - Side Panel - Top View

INVISIMESH INSTALLATION:

1. Position the Invisimesh so the bottom ledge rests securely on the nook of the fireplace opening.
2. Once the bottom is in place, carefully lean the top of the Invisimesh face toward the top of the fireplace until it sits securely (see figure 40).

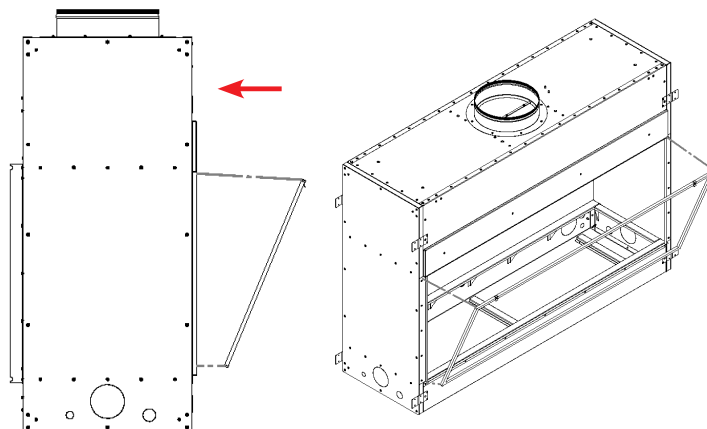


Figure 40 - Invisimesh Installation

FIBER PANEL INSTALLATION:

The back panel should be installed following these steps (see figures 41 to 50):

1. Position the bottom edge:
For each panel section, align the bottom edge with the back of the unit so the sides slide freely into place. The bottom edge will rest on the back edge of the trim.
2. Install from one side to the other:
Start with the section on one end (left or right), then continue installing each subsequent section in sequence
3. Align and secure with Z-Brackets:
Ensure each section is properly aligned so the side edges fit neatly together. Secure each panel using the Z-Brackets provided (see figures 50 and 51).
4. Repeat for all sections:
Continue until all sections are installed, forming a smooth, continuous back panel.

PANEL INSTALLATION

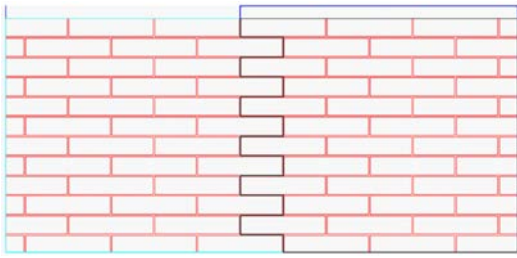


Figure 41 - Brick Panel Back Set 48"

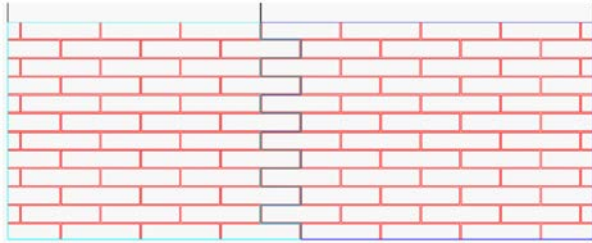


Figure 42 - Brick Panel Back Set 60"



Figure 43 - Brick Panel Back Set 72"

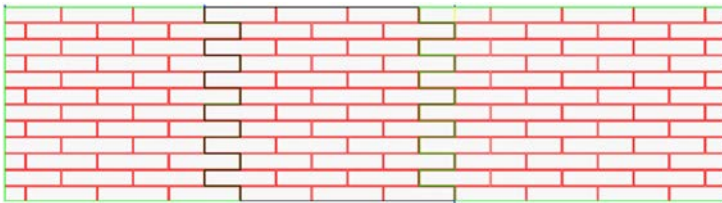


Figure 44 - Brick Panel Back Set 84"

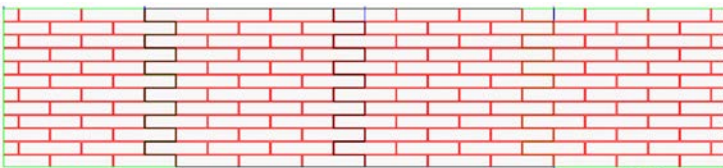


Figure 45 - Brick Panel Back Set 96"

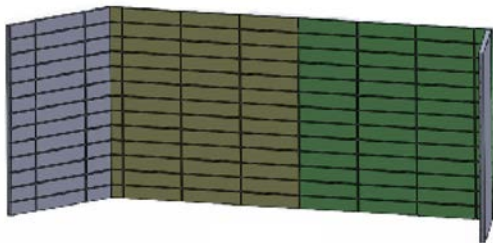


Figure 46 - Stacked Brick Panel Set 48"

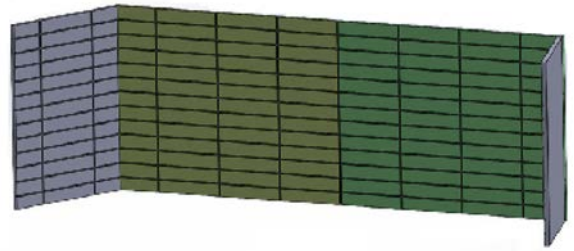


Figure 47 - Stacked Brick Panel Set 60"

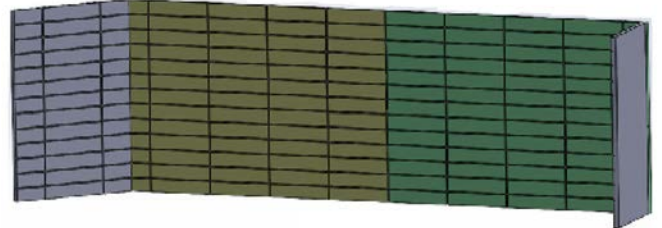


Figure 48 - Stacked Brick Panel Set 72"

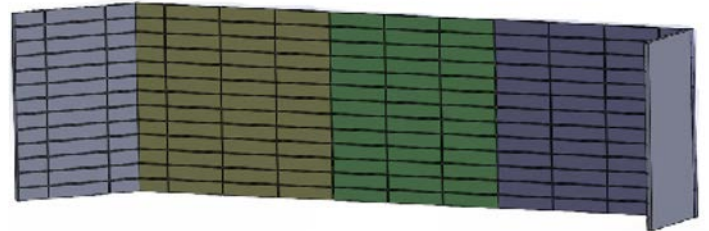


Figure 48 - Stacked Brick Panel Set 84"



Figure 50 - Stacked Brick Panel Set 96"

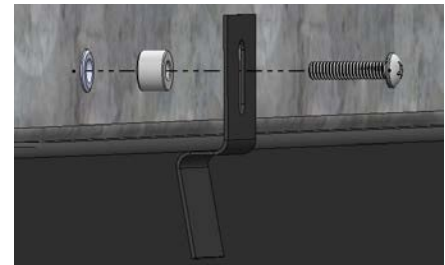


Figure 51 - Z-Bracket for .375" panels

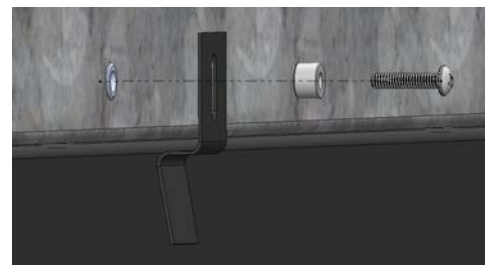


Figure 52 - Z-Bracket for .625" panels

VIEWING REDUCTION INSTALLATION AND INCLUDED ACCESSORY KIT

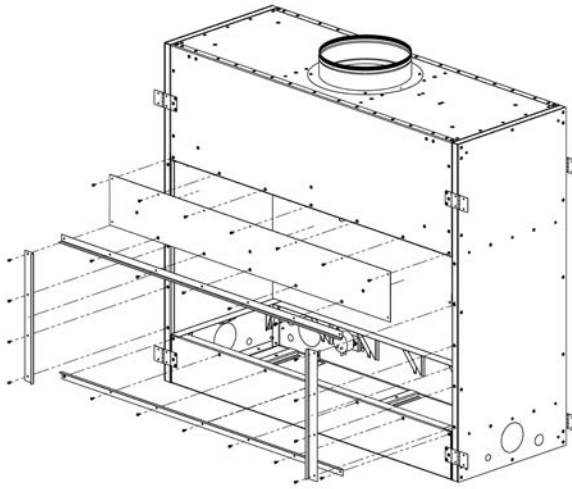


Figure 53 - Front Reduction Kit

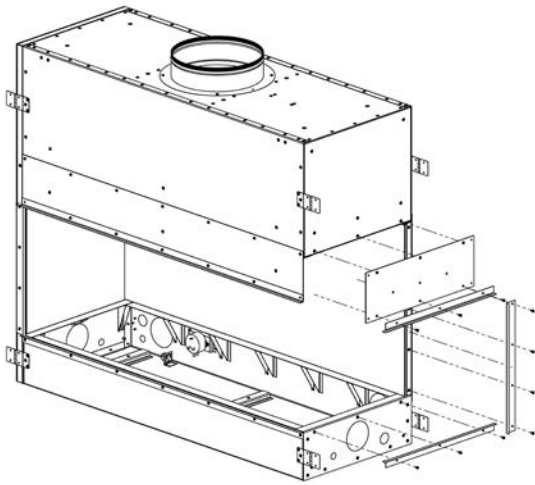


Figure 54 - Right Reduction Kit

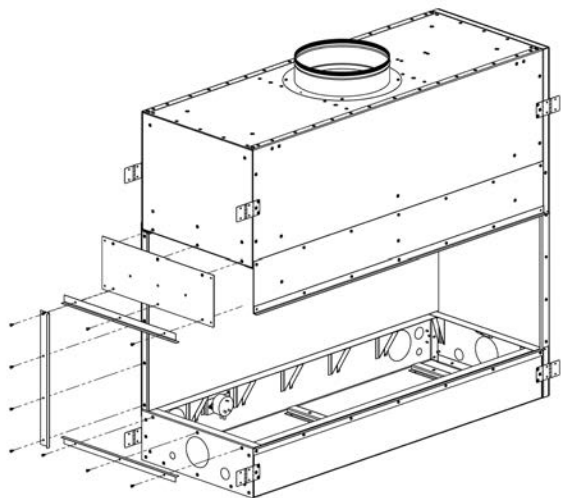


Figure 55 - Left Reduction Kit

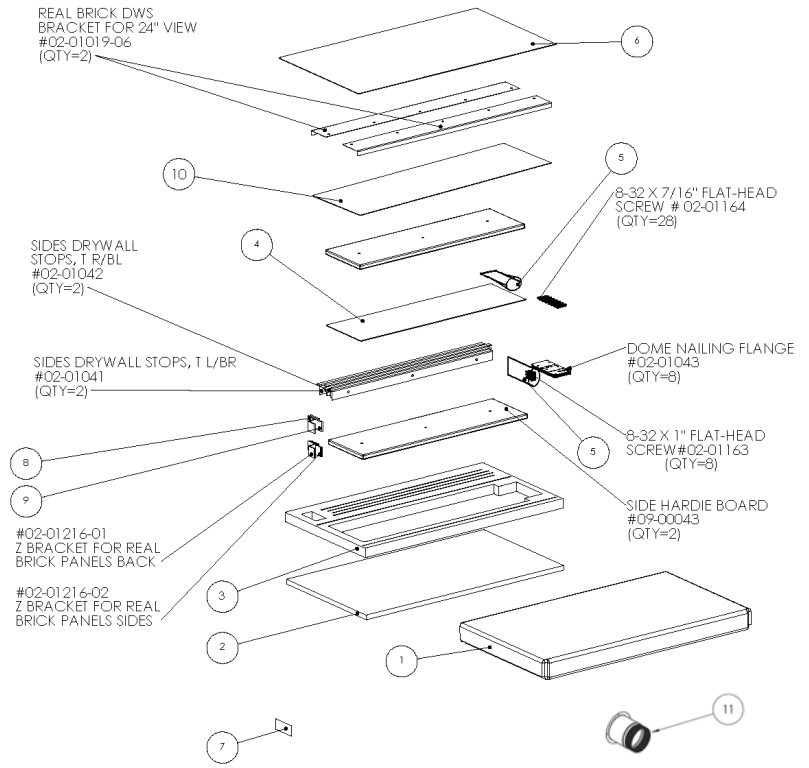


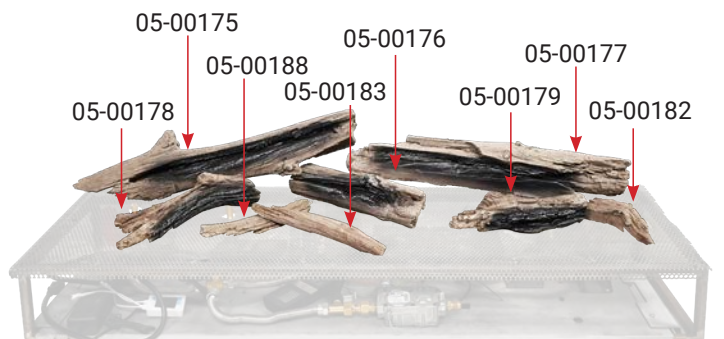
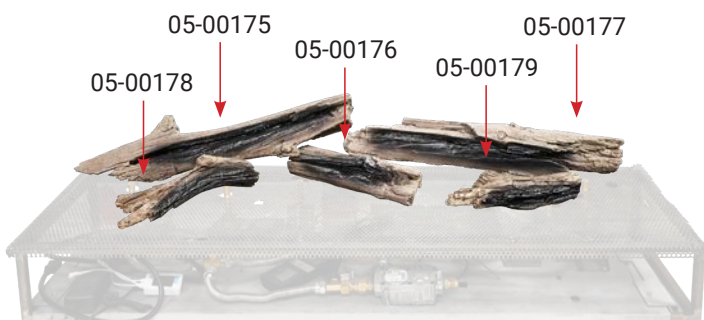
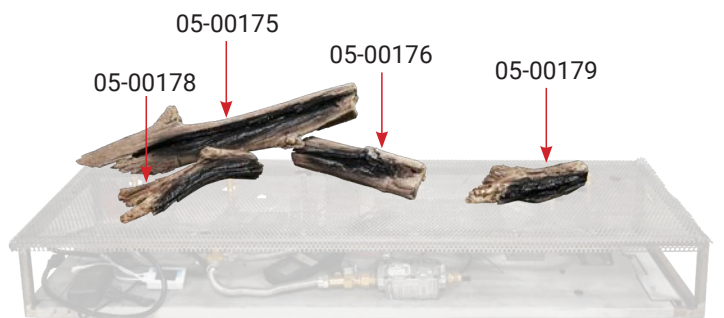
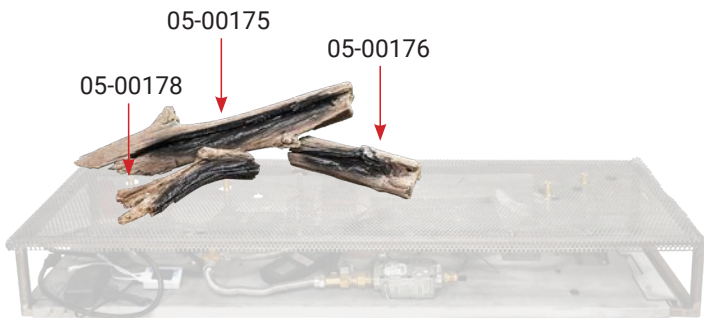
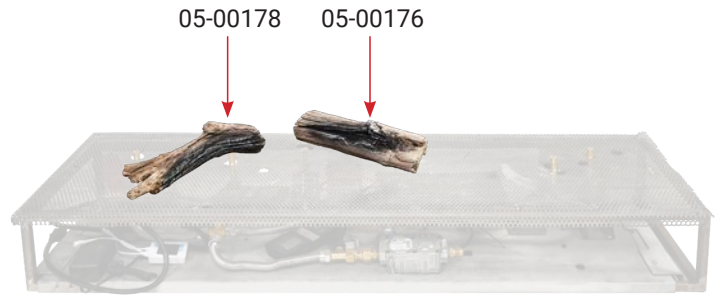
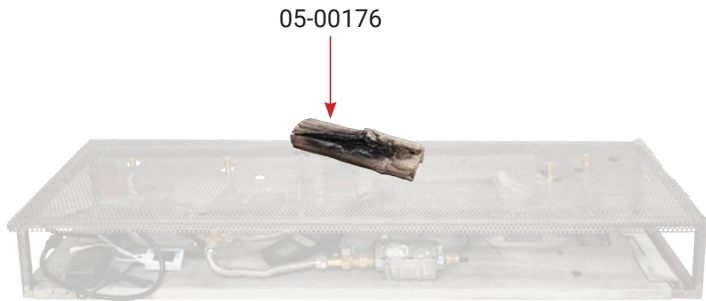
Figure 56 - Accessory Kit

Item No.	Part Number	Description	Quantity
1	11-00265	Shipping box, summit sides hardie boards/sides dry wall stop (l, r, b, t) and real brick panel's dws brackets kit	1
2	11-00270	1/2" epe foam (24.45" x 13.75") or 1/8" white foam layers	1
3	11-00153	Foam tray, summit sides dry wall stop (l, r, b, t), hadie boards and real brick panel's dws brackets kit	1
4	11-00268	Hardie board 1/16" foam divider	1
5	09-00069	4 mil clear bag	2
6	11-00269	1/16" epe foam (24.45" x 13.75")	1
7	11-00063	Label, sides drywall stops , top/bottom, left/right, side hardie board and real brick panel's bracket kit	2
8	09-00083-01	Stretch wrap, 3" wide 80 gauge (S-4208) for four z bracket's real brick panels sides	1
9	09-00083-02	Stretch wrap, 3" wide 80 gauge (S-4208) for four z bracket's real brick panels sides	1
10	11-00288	1/16" epe foam (24.45" x 7.75")	1
11	02-01001	Outside Air Kit	1

LOG PLACEMENT

48" BURNER AND GLOWFIRE™ WESTERN DRIFTWOOD LOG PLACEMENT GUIDE

NOTE: BEFORE placing logs, make sure all red caps on brass tube's are REMOVED.



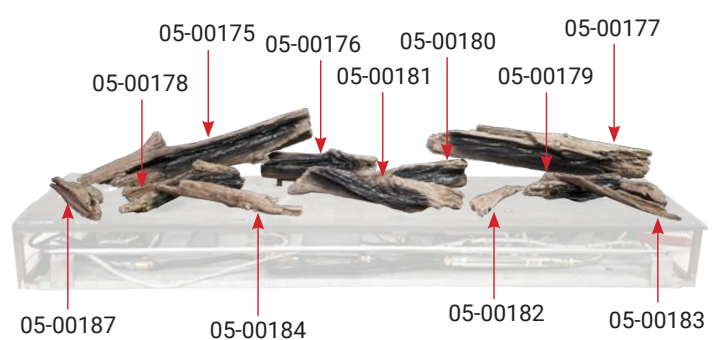
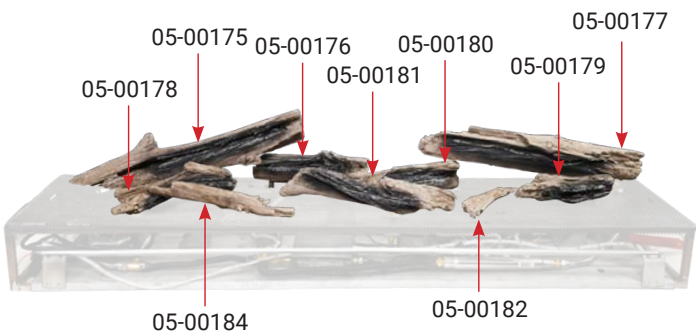
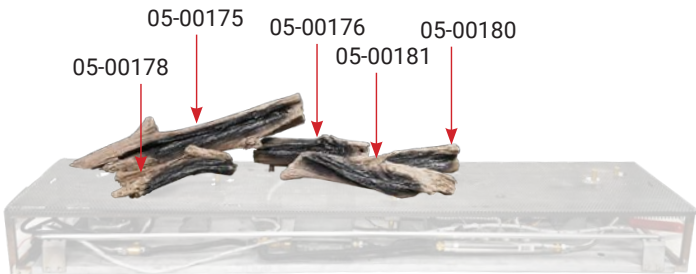
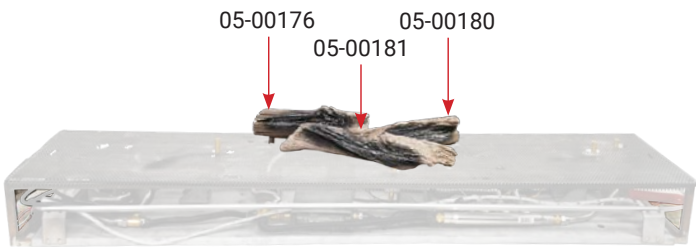
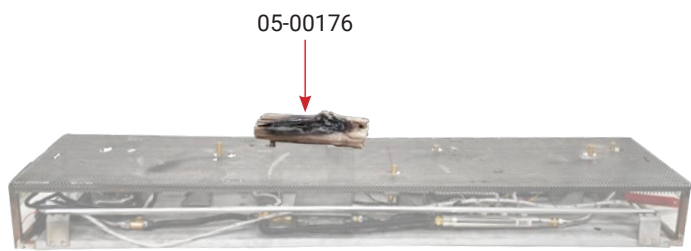
48" BURNER AND GLOWFIRE™ WESTERN DRIFTWOOD LOG PLACEMENT GUIDE



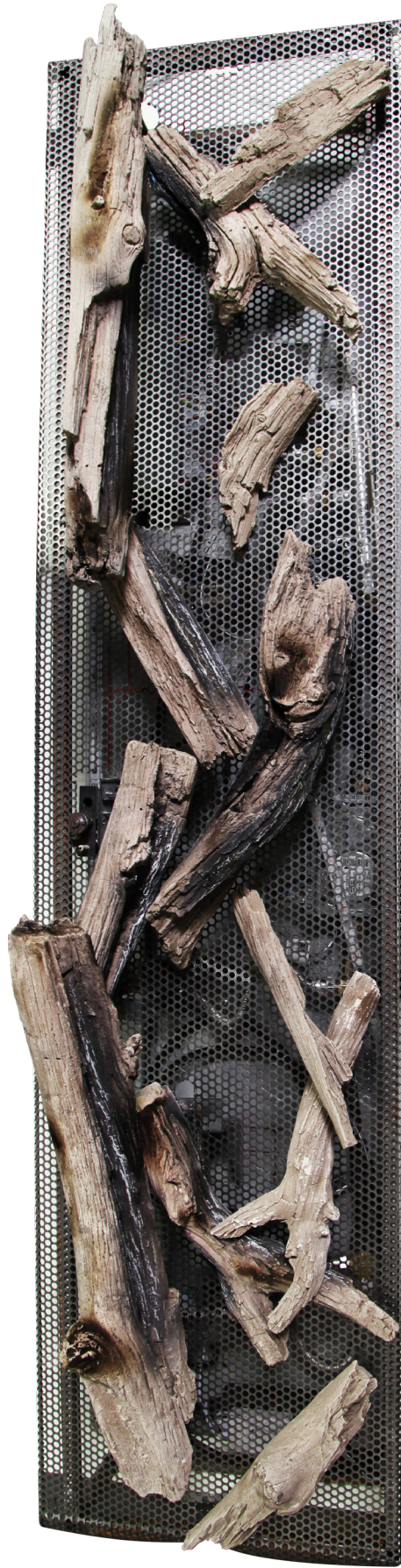
LOG PLACEMENT

60" BURNER AND GLOWFIRE™ WESTERN DRIFTWOOD LOG PLACEMENT GUIDE

NOTE: BEFORE placing logs, make sure all red caps on brass tube's are REMOVED.



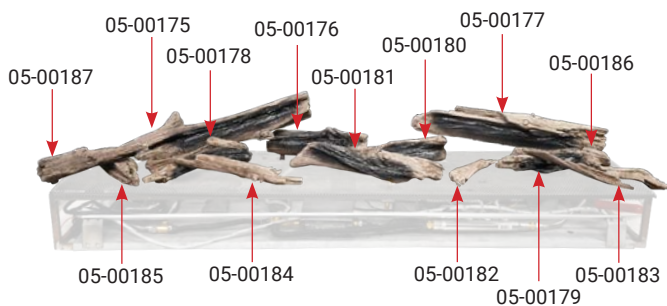
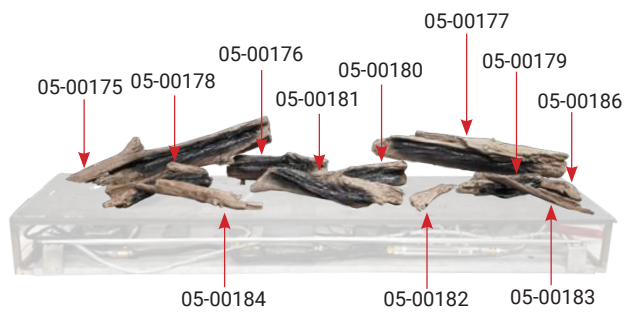
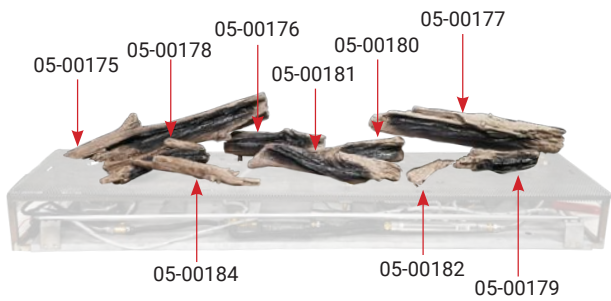
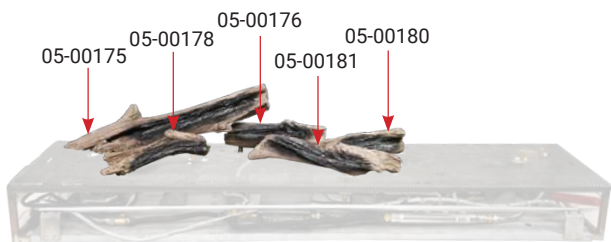
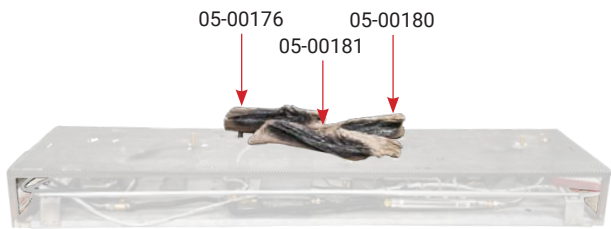
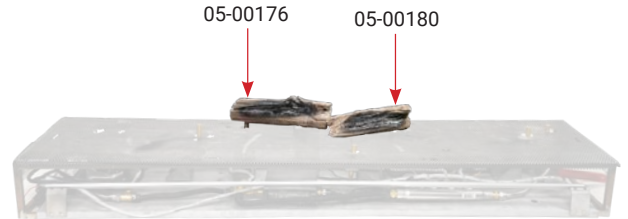
60" BURNER AND GLOWFIRE™ WESTERN DRIFTWOOD LOG PLACEMENT GUIDE



LOG PLACEMENT

72" BURNER AND GLOWFIRE™ WESTERN DRIFTWOOD LOG PLACEMENT GUIDE

NOTE: BEFORE placing logs, make sure all red caps on brass tube's are REMOVED.



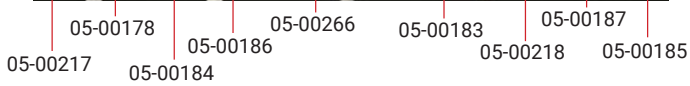
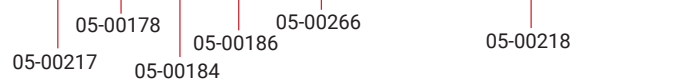
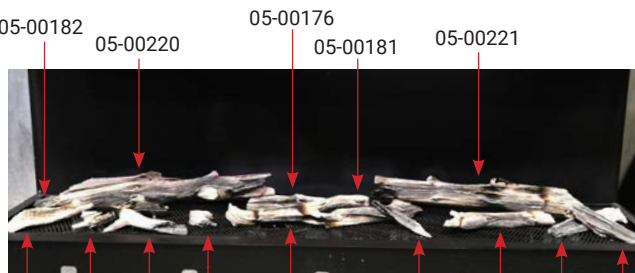
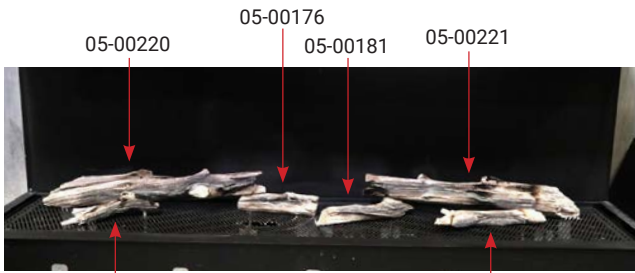
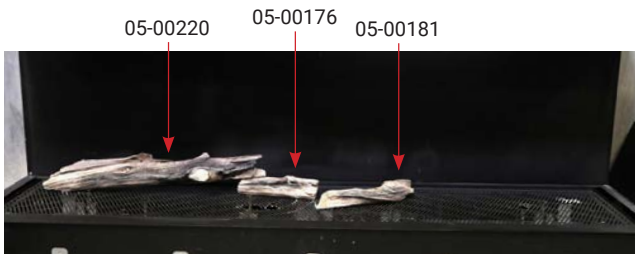
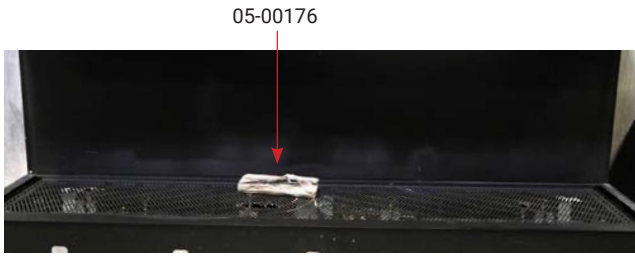
72" BURNER AND GLOWFIRE™ WESTERN DRIFTWOOD LOG PLACEMENT GUIDE



LOG PLACEMENT

84" BURNER AND GLOWFIRE™ WESTERN DRIFTWOOD LOG PLACEMENT GUIDE

NOTE: BEFORE placing logs, make sure all red caps on brass tube's are REMOVED.



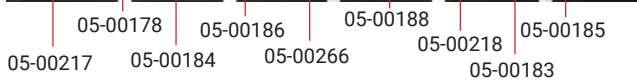
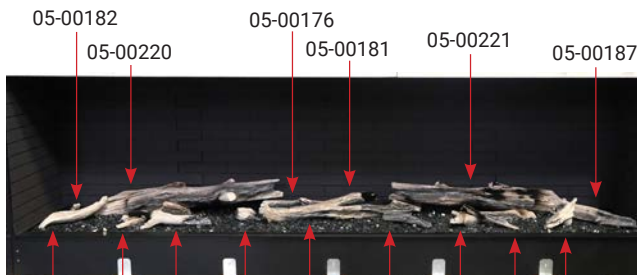
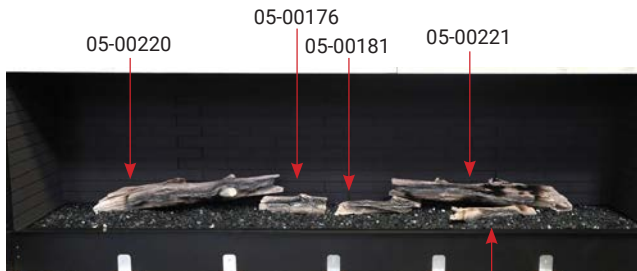
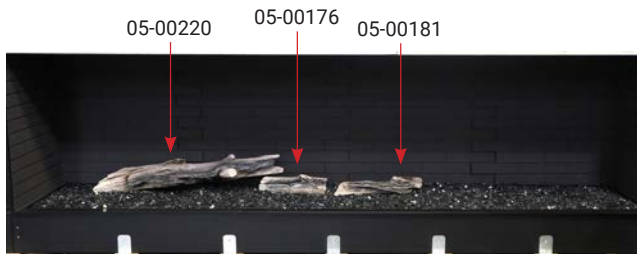
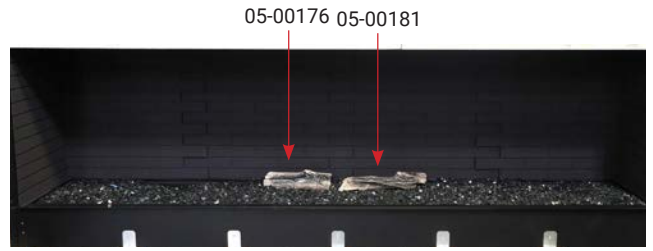
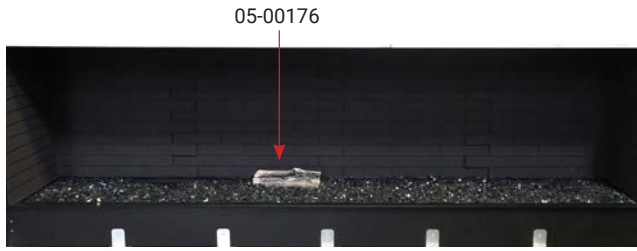
84" BURNER AND GLOWFIRE™ WESTERN DRIFTWOOD LOG PLACEMENT GUIDE



LOG PLACEMENT

96" BURNER AND GLOWFIRE™ WESTERN DRIFTWOOD LOG PLACEMENT GUIDE

NOTE: BEFORE placing logs, make sure all red caps on brass tube's are REMOVED.

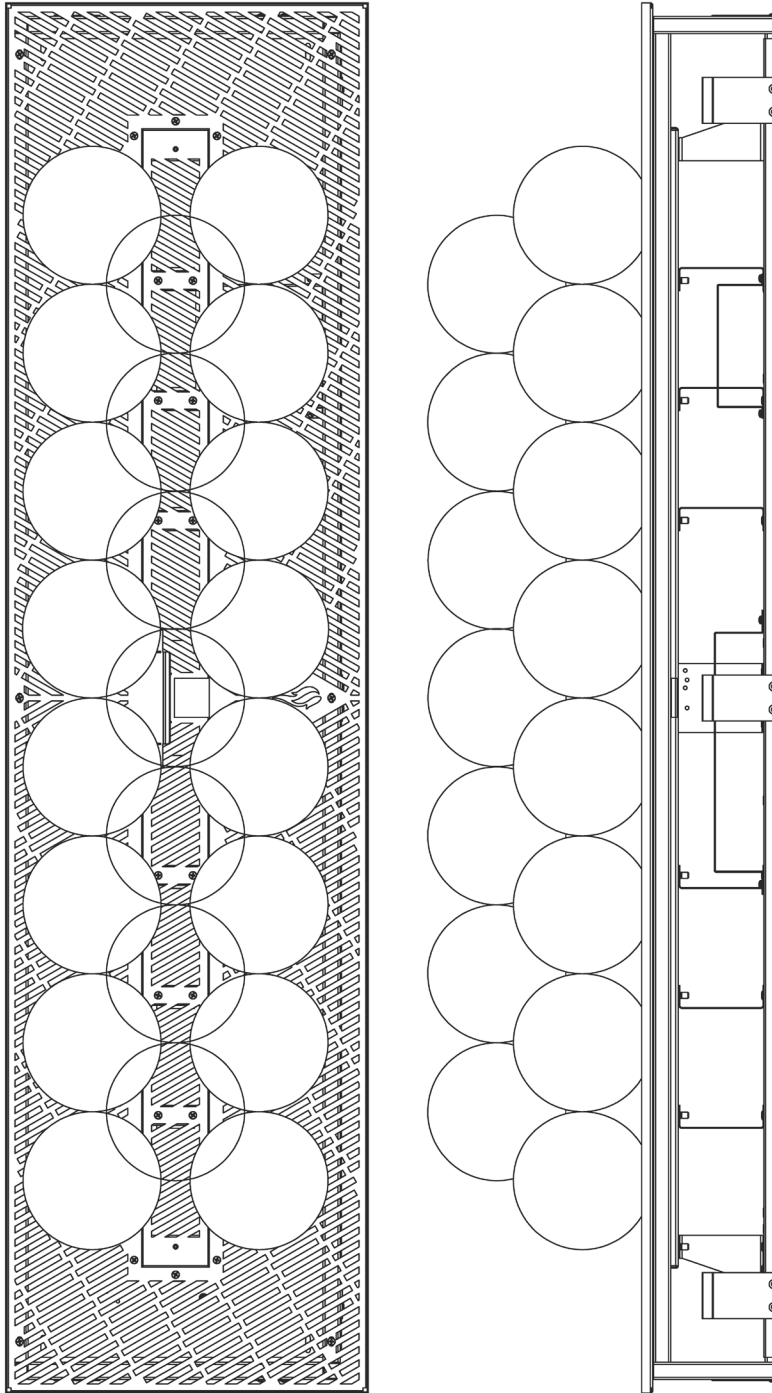


96" BURNER AND GLOWFIRE™ WESTERN DRIFTWOOD LOG PLACEMENT GUIDE



CANNONBALLS INSTALLATION

BEDROCK CANNONBALLS PLACEMENT GUIDE

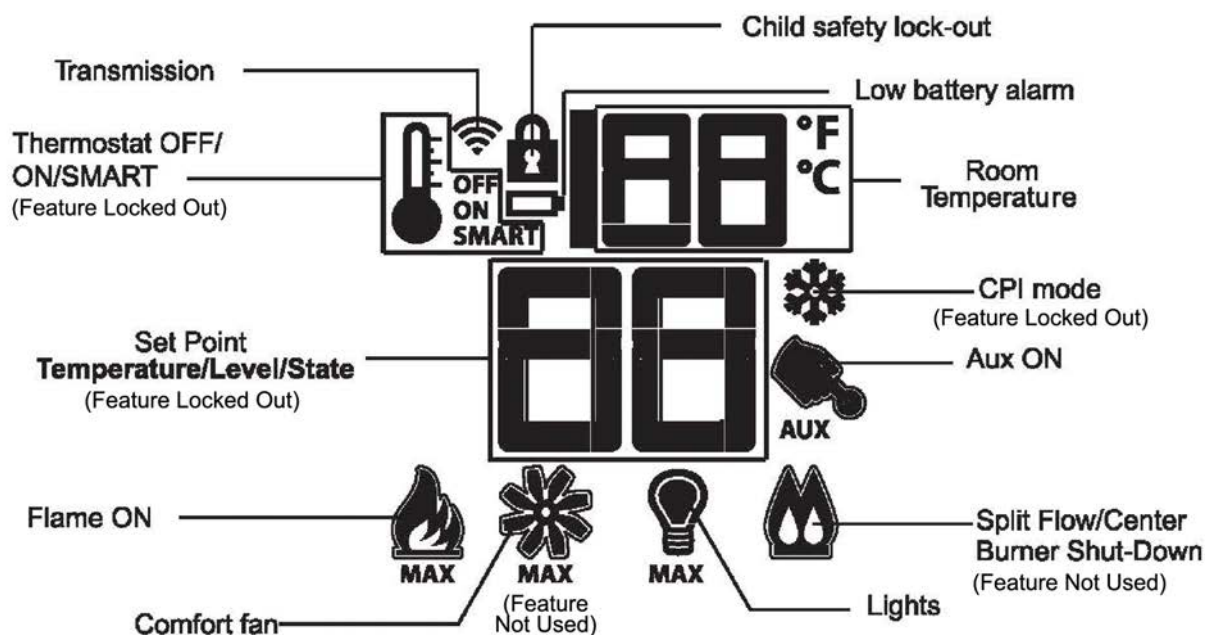


Note: 60" Shown.

Summit size	Number of Cannonballs
48"	17
60"	23
72"	29
84"	35
96"	41

Recommended number of 6" cannonballs to be used per size.

MULTIFUNCTION REMOTE OPERATING INSTRUCTIONS



Note: SIT Proflame 2 system is a complete control system and some features are not utilized in the Summit Fireplace such as Thermostat, Comfort Fan, AUX & Split Flow.

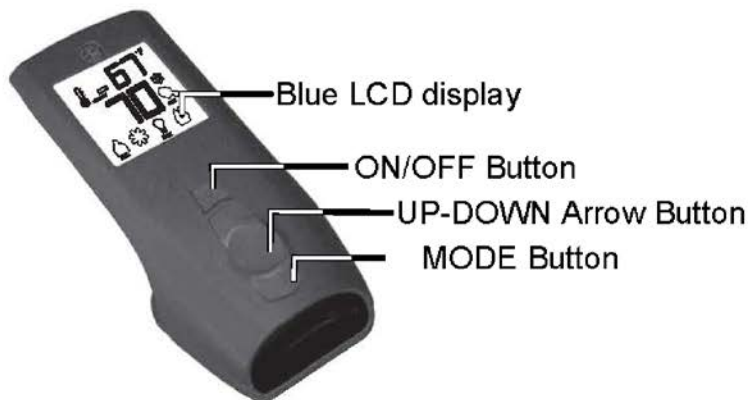
TECHNICAL DATA	
Remote Control	
Supply voltage	4.5 V (three 1.5 V AAA batteries)
Ambient temperature ratings	0-50°C (32 - 122°F)
Radio frequency	315 MHz

⚠ WARNING
The transmitter and receiver are radio frequency devices. Placing the receiver in or near metal may severely reduce the signal range.

⚠ WARNING
Turn off the main gas supply and electrical supply to the fireplace during installation and/or maintenance of the receiver device.

⚠ WARNING
FIRE HAZARD.
Can cause severe injury or death. The receiver causes ignition of the fireplace. The fireplace can turn on suddenly. Keep away from the fireplace burner when operating the remote system or activating manual bypass of the remote system.

⚠ CAUTION
PROPERTY DAMAGE HAZARD.
Excessive heat can cause property damage. The fireplace can stay lit for many hours. Turn off the fireplace if it is not going to be attended for any length of time. Always place the Transmitter where children can not reach it.



NOTICE: Not all features called out in the diagram above are available on this fireplace.

NOTICE: This control system includes a Battery Back-up pack that allows the Fireplace to operate in the event of a power outage.

NOTICE: The Accent Light and/or Blower features will not operate during a power outage.

NOTICE: Replace all Batteries at least once each year, preferably before at the beginning of the season.

⚠ CAUTION
FIRE OR EXPLOSION HAZARD.
Can cause property damage, sever injury or death. Do not attempt to take apart the gas control or to clean it. Improper assembly and cleaning can cause unreliable operation.

MULTIFUNCTION REMOTE OPERATING INSTRUCTIONS

Initializing the System for the First time (Re-Sync/Synchronize)

1. Remove the wall cover. Open the wall mounted battery back-up holder. **See Figure 7.1.** Install the four AA batteries into the wall mounted battery back-up holder then reinstall the cover. **See Figure 7.2.**
2. Install three AAA batteries into the battery bay located on the base of the transmitter. **See Figure 7.3.**
3. Set the wall remote slide switch to the REMOTE position. **See Figure 7.2.**
4. Press and release the SWI button on the wall control with a paper clip and the IFC module will beep three times to indicate the IFC module is ready to synchronize with the transmitter within ten seconds. **See Figure 7.2.**



Figure 7.1



Figure 7.2

5. With the batteries already installed in the Transmitter, push the ON button. The receiver will beep four times to indicate the transmitter's command is accepted and sets to the matching code of the transmitter. The system is now initialized.



Figure 7.3

Temperature Indication Display °C or °F

With the system in the OFF position, press the thermostat button and the mode button at the same time. Look at the LCD screen on the transmitter to verify that a °C or °F is visible to the right of the room temperature display. **See Figure 7.4 and 7.5.**

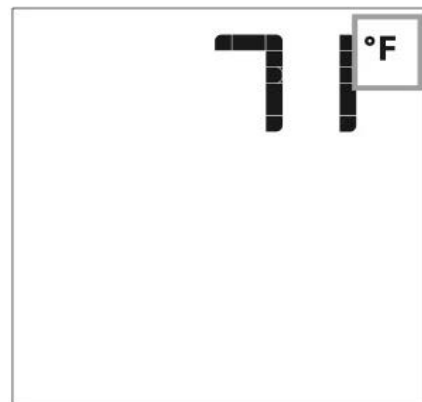


Figure 7.4



Figure 7.5

MULTIFUNCTION REMOTE OPERATING INSTRUCTIONS

Turn On the Fireplace

With the system OFF, press the ON/OFF Button on the Transmitter. The Transmitter display will show some other active icons on the screen. At the same time the Receiver will activate the fireplace. A single beep from the Receiver will confirm reception of the command.

Turn OFF the Fireplace

With the system ON, press the ON/OFF Button on the Transmitter. The Transmitter LCD display will only show the room temperature. See Figure 7.6. At the same time the Receiver will turn off the fireplace. A single beep from the Receiver confirms reception of the command.



Remote Control Display

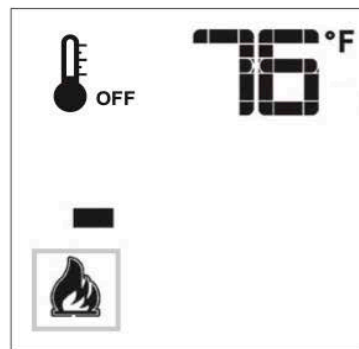
Remote Flame Control

The Proflame control has six flame levels. With the system on, and the flame level at maximum, each press the Down Arrow Button once will reduce the flame height by one step—until the flame is turned off.

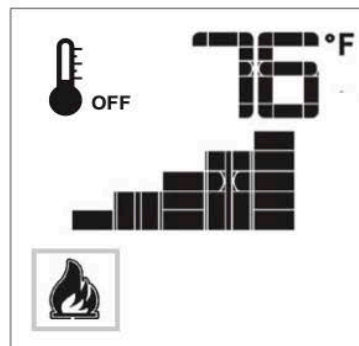
The Up Arrow Button will increase the flame height each time it is pressed. If you press the Up Arrow Button while the system is on but the flame is off, the flame will come on in the high position. See Figures 7.7 through 7.10. A single beep will confirm reception of the command.



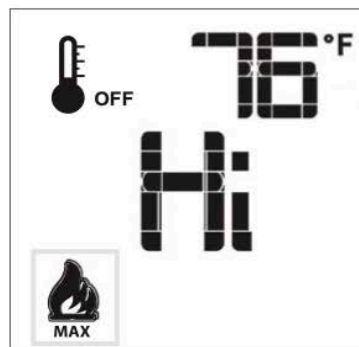
Flame Off - Figure 7.7



Flame Level 1 - Figure 7.8



Flame Level 5 - Figure 7.9



Flame Level Maximum - Figure 7.10

MULTIFUNCTION REMOTE OPERATING INSTRUCTIONS

Remote dimmer control (Light)

The auxiliary function controls the AUX power outlet by the dimmable light control. To activate this function use the Mode Key (fig. 1) to index to the AUX icon (fig. 11 & 12).

The intensity of the output can be adjusted through six (6) levels. Use the Up/Down Arrow Keys (Fig.1) adjust the output level (fig. 12). A single "beep" will confirm reception of the command.

Note. This function is available only with the IFC Control Module.



Figure 7.11

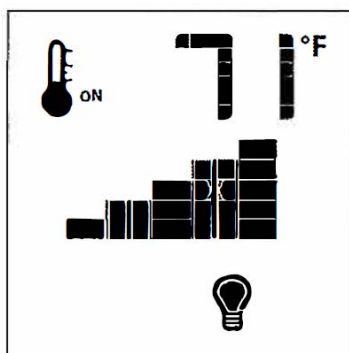


Figure 7.12

Using the Fireplace without a Remote Control

The fireplace can be turned ON (HI only) and OFF with wall switch. The fireplace flame ON/OFF is the only function that will operate; no flame adjustment, light or blower will work when using the wall switch. The wall control switch should be turned OFF when the fireplace is not being used for extended periods of time.

Battery Backup Operation

Install batteries (See initialization sequence on page ?. In case of power loss, the fireplace will switch to battery mode automatically. The fireplace will operate normally without the fan or light control when in battery mode.

Low Battery Detection

When the backup batteries are low, the module emits a double-beep when it receives an on/off command. The system will not accept any commands until the batteries are replaced or A/C power is restored.

Button Lock

This function will lock the Buttons to prevent unsupervised operation.

To activate this function, press the MODE and UP Buttons at the same time. See Figure 7.13.

To deactivate this function, press the MODE and UP Buttons at the same time.

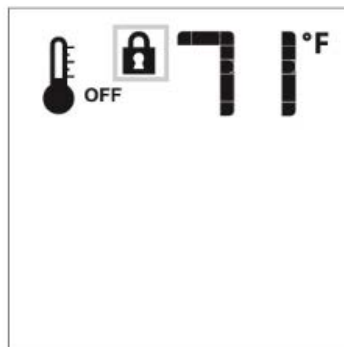


Figure 7.13

Low Battery Power Detection - Transmitter

The life span of the remote control batteries depends on various factors:

- Quality of the batteries
- How frequently the fireplace cycles on and off

When the transmitter batteries are low, an icon will appear on the LCD display of the transmitter. See Figure 7.14 before all battery power is lost. When the batteries are replaced this icon will disappear.



Figure 7.14

Lockout State Definition

To prevent damage to the fireplace, IFC board will automatically lockout the remote control if it detects a anomalous flame or too many unsuccessful ignition attempts. The lockout state will remain as long as the power supplies are applied.

When the IFC board goes into lockout state:

1. Both the Pilot and the Main Burner solenoids in the gas valve are deenergized;
2. A diagnostic code is sent through the diagnostic red LED.
3. The IFC board will ignore any burner ignition command and remain in the OFF state unless the unlock command sequence is met.

Turn the system power supplies (to the wall control or remote control) OFF for two or three seconds and then restore power. If the lockout reoccurs, call your dealer. The causes of lockout must be investigated under safe conditions by trained service personnel.

INTERMITTENT PILOT INSTRUCTIONS

FOR YOUR SAFETY READ BEFORE LIGHTING

⚠ WARNING

If you do not follow these instructions exactly, a fire or explosion may result causing property damage, personal injury or loss of life.

A. BEFORE LIGHTING smell all around the appliance area for gas. Be sure to smell next to the floor because some gas is heavier than air and will settle on the floor.

WHAT TO DO IF YOU SMELL GAS

- Do not try to light any appliance.
- Do not touch any electrical switch.
- Do not use any phone in your building.
- Immediately call your gas supplier from a neighbor's phone. Follow the gas supplier's instructions.
- If you can not reach your gas supplier, call the fire department.

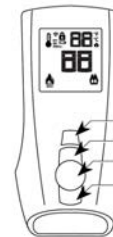
B. Use only your hand to push in or turn the gas control knob. Never use tools. If the knob will not push in or turn by hand, don't try to repair it, call a qualified service technician. Force or attempted repair may result in a fire or explosion.

C. Do not use this appliance if any part has been underwater. Immediately call a qualified service technician to inspect the appliance and to replace any part of the control system and any gas control which has been underwater.

LIGHTING INSTRUCTIONS

1. **STOP. Read the Safety information above this label.**
2. Read the care and Operation manual on page ?.
3. Turn appliance's gas shut-off valve to the ON position.
4. If service was preformed, check that breaker was restored.
5. Wait five (5) minutes to clear air from fuel lines. Than smell for gas, including near the floor. If you smell gas, STOP! Follow "B" in the safety information above on this label. If you don't smell gas, go to next step.
6. Press ON/OFF with your Proflame II remote control transmitter.
7. Listen for the receiver's audio feedback. A single beep will be heard.
8. The appliance will begin to light.
9. This device is equipped with an ignition device which automatically lights the pilot.
10. Do not try to light the pilot by hand.
11. If the appliance will not operate, follow the instructions "Shutdown Instructions" and call your service technician or gas supplier.

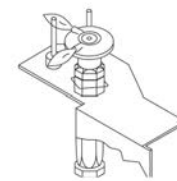
Electronic Gas Control Valve - SIT Proflame



Remote Control Transmitter

- ON/OFF Key
- THERMOSTAT Key
- UP/DOWN Arrow Key
- MODE Key

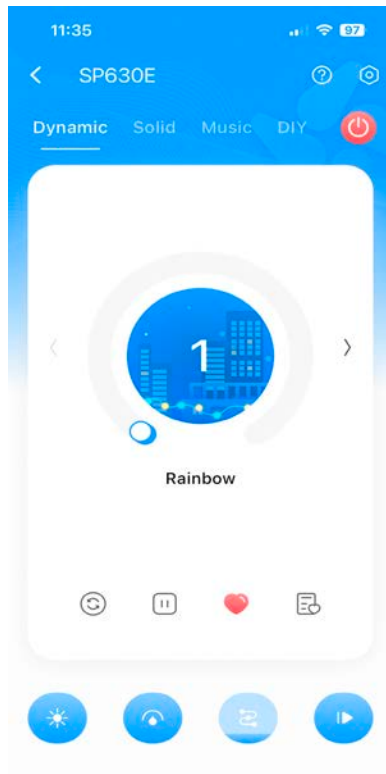
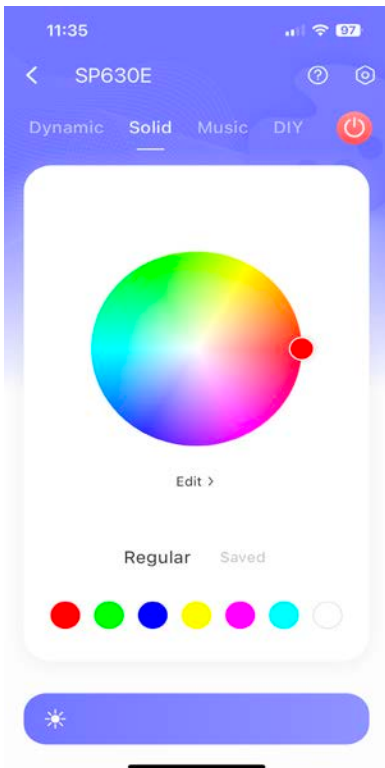
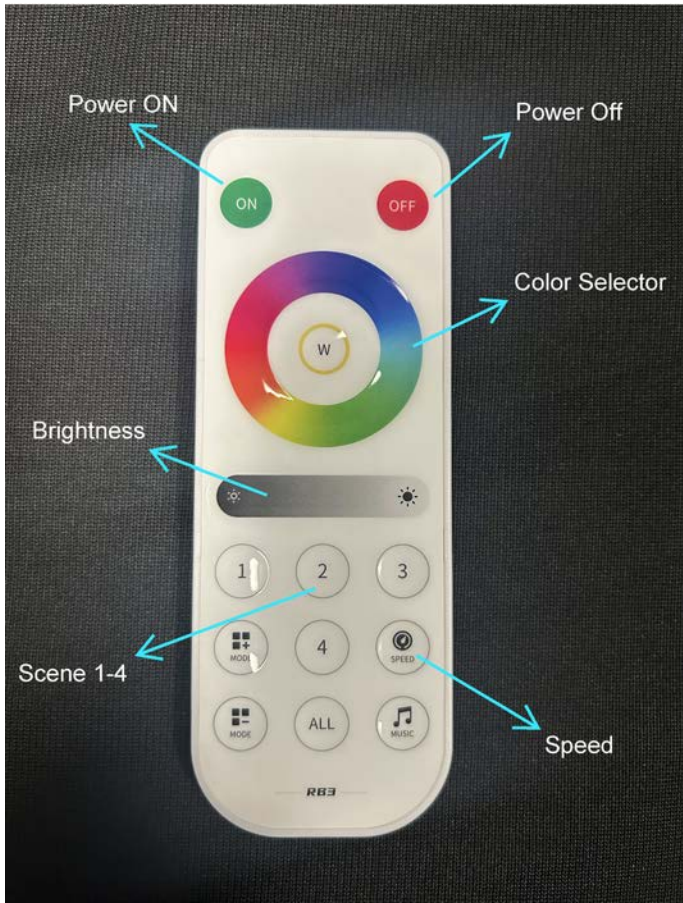
Vented Pilot Assembly



TO TURN OFF GAS TO FIREPLACE

1. Press On/off on your Proflame II remote control transmitter
2. Listen for the receivers audio feedback. A single beep will be heard.
3. Appliance will begin to turn off.
4. Extreme temperatures caution. Do not attempt to touch any surface of the bedrock system until adequate time for cooling is conducted.
5. Adequate time varies on, size of bedrock, duration of use, and outside temperatures.
6. Turn appliance's gas shut-off valve to the OFF position.
7. Turn of appliance's breaker, if service is to be performed.
8. In case of an Emergency or access to Proflame II remote transmitter is lost.
Bypass Proflame II remote control transmitter and move directly to gas shut-off valve. Turn valve to off position.

Wi-Fi APP MULTIFUNCTION REMOTE OPERATING INSTRUCTIONS



Download to your mobile device



TROUBLESHOOTING

⚠ WARNING: Turn off appliance and let cool before servicing. Only a qualified service person should service and repair appliance.

NOTE: All troubleshooting items are listed in order of operation.

Symptom	Problem	Test Solution
Delayed ignition of burner	<ol style="list-style-type: none"> 1. Manifold pressure is to low. 2. Burner orifice clogged. 3. Incorrect placement of logs on Bedrock traditional units only. 	<ol style="list-style-type: none"> 1. Contact local natural or propane/LP gas company. 2. Clean burner or replace burner orifice(s). 3. Reference log placement guide for bedrock traditional units only.
Burner backfiring during combustion	<ol style="list-style-type: none"> 1. Burner orifice is clogged or damaged. 2. Damaged burner. 	<ol style="list-style-type: none"> 1. Clean burner or replace burner orifice. 2. Replace damaged burner.
Slight smoke or odor during initial operation	<ol style="list-style-type: none"> 1. Residues from manufacturing processes and logs curing. 	<ol style="list-style-type: none"> 1. Problem will stop after a few hours of operation.
Appliance produces a whistling noise when burners are lit	<ol style="list-style-type: none"> 1. Air in gas line. 2. Air passage ways on appliance blocked. 3. Dirty or partially clogged burner orifice. 4. Flex line has kink. 	<ol style="list-style-type: none"> 1. Operate burners until air is removed from line. Have a gas line checked by local natural or propane/LP gas company. 2. Observe minimum installation clearances. 3. Clean burner or replace burner orifice(s). 4. Straighten flexible connector.
White powder residue forming within burner box or on adjacent walls or furniture	<ol style="list-style-type: none"> 1. When heated, vapors from furniture polish, wax, carpet cleaners, etc. may turn into white powder residue. 	<ol style="list-style-type: none"> 1. Turn appliance off when using furniture polish, wax, carpet cleaners, or similar products.
Remote does not function	<ol style="list-style-type: none"> 1. Batteries are not installed. Battery power is low. 	<ol style="list-style-type: none"> 1. Replace batteries in battery pack and in hand held remote.

TROUBLESHOOTING

⚠ WARNING: If you smell gas

- Shut off gas supply.
- Do not try to light any appliance.
- Do not touch any electrical switch; do not use any phone in your building.
- Immediately call your gas supplier from a neighbor's phone. Follow the gas supplier's instructions.
- If you cannot reach your gas supplier, call the fire department.

IMPORTANT: Operating appliance where impurities in air exist may create odors. Cleaning supplies, paint, paint remover, cigarette smoke, cements and glues, new carpet or textiles, etc., create fumes. These fumes may mix with combustion air and create odors. These odors will disappear over time.

Symptom	Problem	Test Solution
Appliance produces unwanted odors	<ol style="list-style-type: none"> 1. Appliance burning vapors from paint, hair spray, glues cleaners, chemicals new carpet, etc. (See IMPORTANT statement above). 2. Low fuel supply (propane/LP only). 3. Gas leak. See Warning: If you smell gas statement above. 	<ol style="list-style-type: none"> 1. Open window to ventilate room. Stop using odor causing products while appliance is running. 2. Refill supply tank (propane/LP only). 3. Locate and correct all leaks.
Appliance shuts off in use	<ol style="list-style-type: none"> 1. Low line pressure. 2. Unit spill switch thermostat has been tripped. 	<ol style="list-style-type: none"> 1. Contact local natural or propane/LP gas company. 2. Contact installer to reset spill switch thermostat and inspect unit venting system.
Gas odor even when system is turned off	<ol style="list-style-type: none"> 1. Gas leak. See Warning: If you smell gas statement above. 2. Control valve or gas control defective. 	<ol style="list-style-type: none"> 1. Locate and correct all leaks.
Gas odor during combustion	<ol style="list-style-type: none"> 1. Gas leak. See Warning: If you smell gas statement above. 	<ol style="list-style-type: none"> 1. Locate and correct all leaks.
Battery Electronic System is turned ON but not sparking	<ol style="list-style-type: none"> 1. Weak batteries. 2. A Shorted or loose connection in the wiring configuration or wire harness. 3. Spill switch thermostat malfunction. 	<ol style="list-style-type: none"> 1. Replace batteries. 2. Verify wiring per wiring diagram. 3. Verify wiring per wiring diagram. 4. Replace module. 5. Contact installer to inspect spill switch thermostat connections.
Pilot lights but the system continues to spark	<ol style="list-style-type: none"> 1. Poor flame rectification or contaminated sensor rod. 2. Module is not grounded. 3. Damaged pilot assembly. 4. Too large of a gap in sensor rod. 	<ol style="list-style-type: none"> 1. Clean sensor rod. 2. Verify wiring. 3. Replace pilot assembly. 4. Verify sensor rod needs to have a 1/8" gap.
Appliance produces a clicking/ticking noise just after burners are lit or shut off	<ol style="list-style-type: none"> 1. Metal expanding while heating or contracting while cooling. 2. Igniter assembly is out of position. 3. Wind is disturbing the burner flame and the igniter assembly is relighting the burner. 4. Wire connection loose or wire broken. 	<ol style="list-style-type: none"> 1. This is normal with most appliances. If noise is excessive, contact qualified service person. 2. Check igniter position and adjust if needed. 3. Should wind disturb the burner flame, the igniter will automatically spark to relight the burner. This is normal when the appliance is installed outdoors in windy conditions. 4. Check wiring connections. Replace wire harness if necessary.
Down lighting not working	<p>Problem for Down lighting not working:</p> <ol style="list-style-type: none"> 1. Both lights do not turn on. 2. Only one light comes on 	<ol style="list-style-type: none"> 1. Inspect down lighting connection to proflame 2 board within the unit. 2. Replace the light assembly.

Burner:

Summit Linear Fireplaces burners carry a life time warranty against manufacture defects or breakage as long as the appliance is installed inside and by a professional installer. In the event a defect or breakage occurs a replacement will be available for pick up from the dealer at which the burner was originally purchased. This warranty is limited to original purchaser only. Indoor burners installed outside carry a (1) year warranty.

Electrical and Valves:

Summit Linear Fireplaces Logs valves, remotes, and receivers carry a (2) year warranty against breakage or defects from date of purchase, by original purchaser, and must be installed by a licensed professional installer. This warranty only covers use with Summit Linear Fireplaces Logs burners and logs. In the event a defect or breakage occurs a replacement will be available for pick up from the dealer at which the burner was originally purchased. Batteries are not covered under this warranty. ODS pilot assemblies carry a (1) year warranty.

Refractory Logs:

Summit Linear Fireplaces, logs carry a lifetime warranty against any manufacture defects or breakage as long as the products are installed INDOORS. Logs installed in an outdoor fireplace or outdoor firepits carry a (5) year warranty. This warranty does not cover color fading due to use. In the event defect or breakage occurs, a replacement will be available to pick up from the dealer at which the log set was originally purchased or shipped directly to the customer if ordered online. This warranty does not cover breakage caused by excessive handling once installed and fired and does not cover improper installation. This warranty is limited to original purchaser only.

SCAN QR CODE FOR WARRANTY FORM



